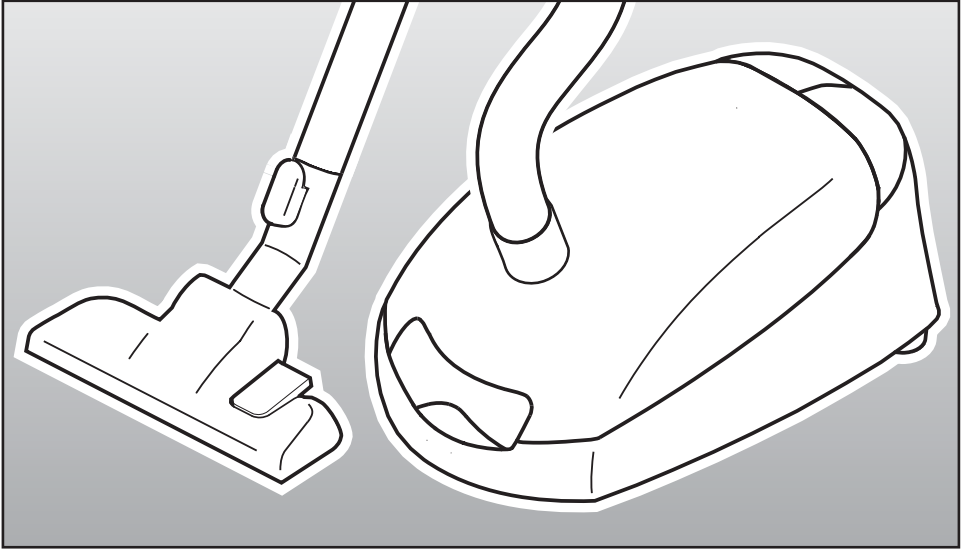


# Miele

## Operating Instructions



## Vacuum Cleaner S 2001

**ONLY MIELE DUSTBAGS, FILTERS AND ACCESSORIES  
WITH THE "ORIGINAL MIELE" LOGO CAN BE USED  
WITH THIS VACUUM CLEANER.  
USE OF NON-MIELE COMPONENTS MAY VOID THE WARRANTY.**

To prevent accidents  
and machine damage,  
read these instructions  
**before**  
installation and use.


**HS12**

en, fr - US, CA

M.-Nr. 07 851 591

**Only Miele dustbags, filters and accessories with the "Original Miele" logo can be used with this vacuum.** Only then can the suction power of the vacuum cleaner reach its optimum potential creating the best possible cleaning results.

**USE OF NON-MIELE COMPONENTS MAY VOID THE WARRANTY.**

 The use of dustbags made of paper or a similar material, or dustbags with a cardboard retaining plate can lead to serious damage to the vacuum cleaner and may void the warranty, just as with the use of dustbags without the "Original Miele" logo.

**The "Original Miele" Logo will appear on the packaging or directly on the dustbag.**



**Purchasing new dustbags and filters**

Original Miele dustbags and filters can be purchased from an authorized Miele vacuum dealer or by visiting the Miele store at [www.mieleusa.com](http://www.mieleusa.com).

<b>IMPORTANT SAFETY INSTRUCTIONS</b> . . . . .	4
<b>Guide to the vacuum cleaner</b> . . . . .	8
<b>Before using the vacuum cleaner</b> . . . . .	10
<b>Included accessories</b> . . . . .	13
<b>Use</b> . . . . .	14
Power cord . . . . .	14
Turning the vacuum On/Off . . . . .	16
Adjusting the suction . . . . .	16
Turning the Powerbrush On/Off . . . . .	17
<b>Transport and storage</b> . . . . .	18
<b>Maintenance and care</b> . . . . .	19
Purchasing new dustbags and filters . . . . .	19
Which dustbags and filters are the right ones? . . . . .	19
When to change the dustbag . . . . .	20
Replacing the dustbag . . . . .	21
When to change the dust compartment filter (Pre-motor filter) . . . . .	22
Replacing the dust compartment filter (Pre-motor filter) . . . . .	22
When to replace the Air Clean exhaust filter . . . . .	22
Replacing the Air Clean filter . . . . .	22
Exchanging exhaust filters . . . . .	23
When to change the Active HEPA exhaust filter . . . . .	23
Replacing the Active HEPA exhaust filter . . . . .	23
When to change the thread catcher on the standard floor brush . . . . .	24
Replacing the thread catchers . . . . .	24
<b>Cleaning and care</b> . . . . .	25
<b>Frequently asked questions / Technical Service</b> . . . . .	26
<b>Optional accessories</b> . . . . .	27
<b>LIMITED WARRANTY - VACUUM CLEANERS      USA</b> . . . . .	29
<b>Caring for the environment</b> . . . . .	31

# IMPORTANT SAFETY INSTRUCTIONS

---

When using an electrical appliance, basic precautions should always be followed, including the following:

## READ ALL INSTRUCTIONS BEFORE USING THIS APPLIANCE

### **WARNING-**

**To reduce the risk of fire, electric shock or injury:**

#### **Before Using**

▶ Check the voltage rating of the vacuum cleaner before connecting the power cord to an electrical outlet. Your power source should correspond with the voltage rating plate located on the underside of the vacuum. Use only household AC outlets. Never use DC power sources. If you are not sure of your home's voltage supply, consult a qualified electrician. Connecting the vacuum cleaner to a higher voltage may result in damage to the vacuum cleaner or injury.

▶ To reduce the risk of electric shock, this appliance has a polarized plug (one blade is wider than the other.) This plug will fit in a polarized outlet only one way. If the plug does not fit fully in the outlet, reverse the plug. If it still does not fit, contact a qualified electrician to install the proper outlet. Do not alter the plug in any way.

▶ A damaged vacuum cleaner can be dangerous. Check the packaging, vacuum cleaner and accessories for any signs of damage. Do not use a damaged appliance.

▶ Do not use with a damaged cord or plug. If the appliance is not working as it should, has been dropped, damaged, left outdoors or submerged in water, bring it to a service center.

▶ The electrical outlet must be fitted with a 15 A fuse.

# IMPORTANT SAFETY INSTRUCTIONS

## Use

- ▶ Do not use on people or animals.
- ▶ Do not use outdoors or on wet surfaces. Only **dry** surfaces should be vacuumed.
- ▶ Use only as described in this manual. Use only Miele recommended accessories described in this manual.
- ▶ This appliance is intended strictly for household use only.
- ▶ Do not allow the vacuum cleaner to be used as a toy. Close attention is necessary when used near children.
- ▶ Never use the vacuum cleaner without the dustbag or filters in place. Otherwise, it could be damaged.
- ▶ If the dustbag is not inserted, the dust compartment lid will not close. Do not force it shut.
- ▶ Do not leave the vacuum plugged in. Unplug it from the outlet when not in use and before servicing.
- ▶ On the underside of the vacuum hand piece is a metal insert designed to absorb static electricity. Please make certain that your hand remains around this metal insert when vacuuming.
- ▶ Persons who lack physical, sensory, or mental capabilities or experience with the machine should not use it without supervision or instruction by a responsible person.
- ▶ Unwind the cord completely to aid the vacuum in dissipating heat.
- ▶ This vacuum should not be used to entrap or retain any hazardous materials.
- ▶ Do not use the vacuum cleaner to pick up liquids or damp dirt. This could impair the electrical safety of the vacuum cleaner. Wait for freshly shampooed carpets to dry.
- ▶ Do not vacuum anything that is burning or smoking such as cigarettes, matches or hot ashes. The vacuum could catch fire.
- ▶ Do not vacuum toner dust. Toner, such as that used in printers and photocopiers can conduct electricity.
- ▶ Do not use the vacuum to pick up any flammable or combustible liquids such as gasoline or use in areas where they may be present.
- ▶ Do not vacuum up items which are heavy, hard or have sharp edges. They could cause a blockage and damage the appliance.
- ▶ Do not pull or carry by the cord, use the cord as a handle, close a door on the cord, or pull the cord around sharp edges or corners. Do not run the appliance over the cord. Keep the cord away from heated surfaces.
- ▶ Do not unplug by pulling the cord. To unplug grasp the plug, not the cord.
- ▶ Do not handle the plug or vacuum with wet hands.

# IMPORTANT SAFETY INSTRUCTIONS

---

- ▶ Keep hair, loose clothing, fingers, and all parts of body away from openings and moving parts.
- ▶ To avoid risk of injury while vacuuming, do not reach into the moving beater bar of the Powerbrush. Danger of injury.
- ▶ Do not place anything into the openings of the vacuum. Do not use if any openings are blocked; keep them free of dust, lint, hair or anything that may reduce air flow.
- ▶ This appliance is equipped with a power cord reel. Hold the plug when rewinding onto cord reel. Do not allow plug to whip when rewinding.
- ▶ Turn off all controls before unplugging.
- ▶ Use caution when vacuuming on stairs.
- ▶ Floor attachments, accessories and wands must not be used at head level to avoid injuries to the eyes and ears.

## Using accessories

- ▶ The hose and telescopic wand contain electrical wires. Do not use the vacuum cleaner if these parts are damaged, cut or punctured. Avoid picking up sharp objects. There is the risk of electric shock.
- ▶ Unplug the vacuum when changing accessories, especially when using the Powerbrush.
- ▶ The socket on the vacuum cleaner is only to be used for the Miele Powerbrush.
- ▶ The Miele Powerbrush is a motor-driven accessory for use only with Miele vacuum cleaners. The vacuum must not be used with another manufacturer's Powerbrush.
- ▶ Do not use the vacuum without an accessory attached. The rim could be damaged and injuries could result from sharp edges.
- ▶ Miele dustbags are disposable and intended to be used only once. Do not attempt to reuse them. An over stuffed dustbag will reduce the efficiency of the vacuum cleaner.
- ▶ Only use genuine Miele dustbags with the Miele quality signet and original Miele filters and accessories. Only then will the manufacturer guarantee its safety.
- ▶ Always turn off this appliance before connecting or disconnecting either hose or motorized nozzle.

# IMPORTANT SAFETY INSTRUCTIONS

---

## Cleaning, maintenance and repairs

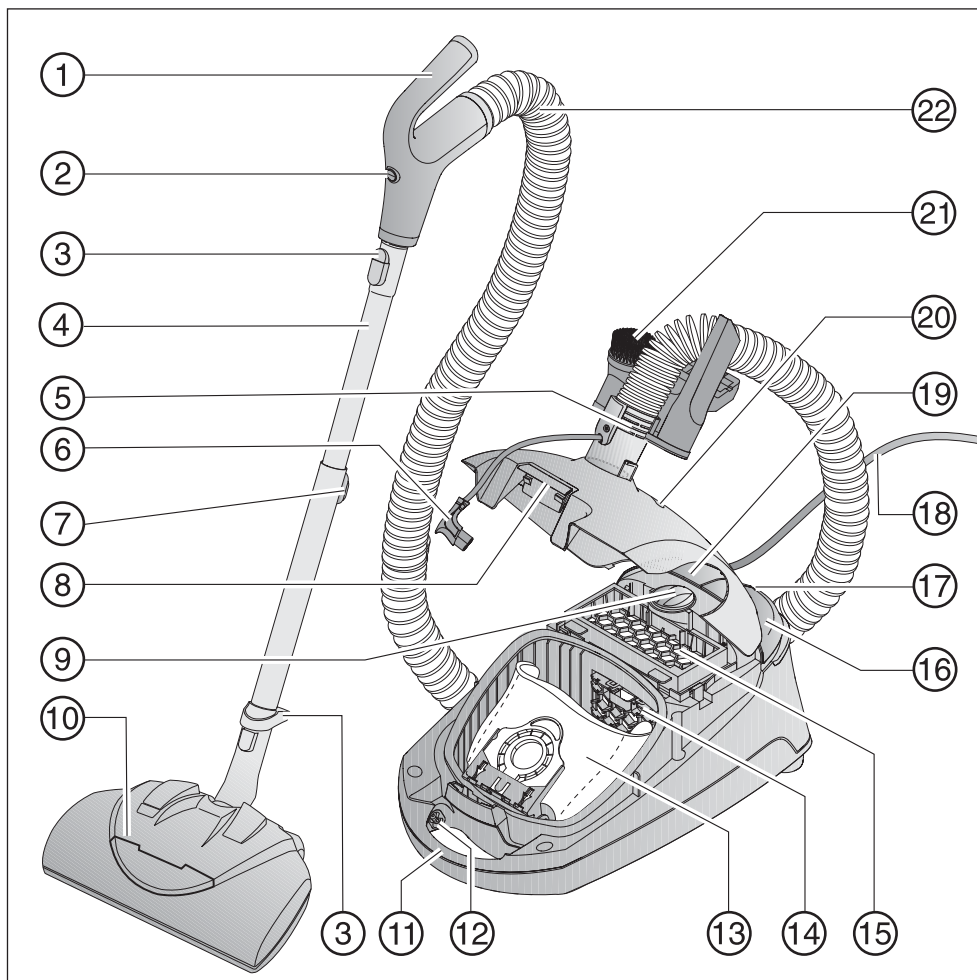
- ▶ Turn the vacuum cleaner off after each use and before every cleaning / maintenance. Pull the plug from the outlet.
- ▶ Never submerge the vacuum cleaner in water. Clean only with a dry cloth or slightly damp cloth when disconnected from the mains supply. If moisture gets into the appliance there is a risk of electrical shock.
- ▶ Monitor the dustbag change indicator and inspect all filters regularly. For best performance, the dustbag and filters should be replaced when necessary. A full bag or blocked filter will reduce the vacuum cleaners' suction power. A temperature limiter automatically switches the vacuum cleaner off if it gets too hot, see "Frequently asked questions".
- ▶ The hose and telescopic wand contain electrical wires. They should not come in contact with water. These items may only be cleaned with a dry cloth. Danger of electric shock.
- ▶ Repairs during the warranty period should only be performed by an authorized service agent in accordance with national and local safety regulations. Unauthorized repairs could cause injury or machine damage and may void the warranty.

## Disposing of an old appliance

- ▶ Before discarding an old vacuum cleaner, please cut off the power cord, and render the plug useless. Ensure the appliance presents no danger to children while being stored for disposal

## SAVE THESE INSTRUCTIONS

# Guide to the vacuum cleaner





- ① Hand piece
- ② On/Off switch for the Powerbrush
- ③ Lock release button
- ④ Electro Telescopic wand SET 220
- ⑤ Elbow
- ⑥ Plug for Electro-accessories
- ⑦ Electro Telescopic wand release button
- ⑧ Dust compartment lid release
- ⑨ Suction power selector
- ⑩ Powerbrush SEB 217-3 / EB02 (not shown in these Operating Instructions) / SEB 228 / EB03

A separate Operating manual for the respective accessory is supplied with the vacuum.

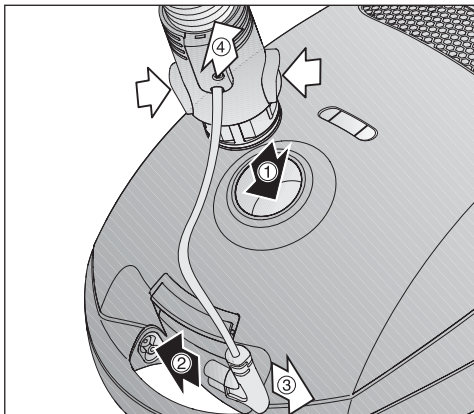
- ⑪ Carrying handle
- ⑫ Socket for Electro-accessories
- ⑬ Dustbag
- ⑭ Dust compartment filter (pre-motor filter)
- ⑮ Exhaust filter
- ⑯ On/Off Ⓛ foot switch
- ⑰ Park-system
- ⑱ Power cord
- ⑲ Cord rewind switch
- ⑳ Airflow indicator
- ㉑ Accessory clip with three tools
- ㉒ Suction hose SES 116

Optional accessories are available from your Miele dealer or [Miele.com](http://Miele.com)

## Before using the vacuum cleaner

### Connecting the Electro hose

- ① Insert the elbow into the suction socket until it clicks into place.
- ② Insert the plug into the socket on the inside of the carrying handle.

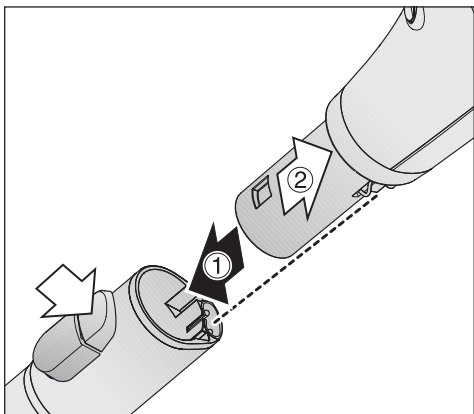


### Disconnecting the Electro hose

- ③ Remove the plug from the socket.
- ④ Press the two release buttons at the sides of the elbow and lift the hose from the socket.

### Connecting the hand piece and the Electro Telescopic wand

- Insert ① the hand piece into the electro telescopic wand until it clicks into place. Use the inlet guides to direct insertion.
- To release the hand piece from the telescopic wand press the locking button (see arrow) and pull ② the hand piece away from the telescopic wand.



## Using the Powerbrush

Observe the cleaning instructions of the floor manufacturer.

The Powerbrush is particularly suitable for cleaning and restoring crushed carpet pile of wall to wall carpeting and floor coverings subject to hard wear, especially in high traffic areas. The Powerbrush can also be used on smooth floor surfaces.

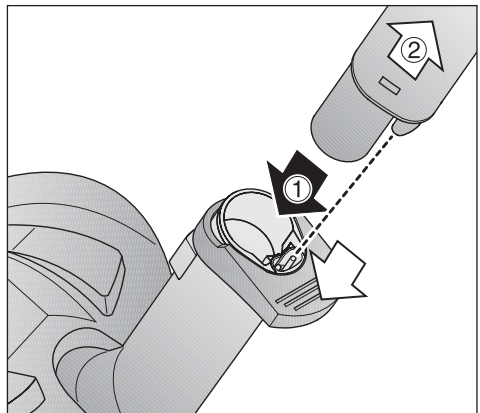
### Do not use the powerbrush on:

- (SEB 217-3 only) Floors with a variable or uneven surface. The brush could come into contact with the floor and cause damage.
- High quality, hand knotted rugs, for example Berber or Persian rugs, as well as extremely long piled area rugs and carpets. There is a danger of the threads being pulled out. Turn the Powerbrush off to vacuum these types of floor coverings and use only suction.

## Connecting the Powerbrush to the Electro Telescopic wand

- Insert ① the Electro Telescopic wand into the Powerbrush until it clicks into place.
- To release the parts, press the lock release button and pull the wand up and out ②..

For more information on use and care please refer to the instructions supplied with the Powerbrush.



# Before using the vacuum cleaner

## Using the standard floor brush

(depending on model)

Observe the cleaning instructions of the floor manufacturer.



The floor brush is suitable for cleaning carpets, rugs, carpeted stairs and hard surfaces that are not susceptible to scratching.

## Connecting the floor brush



- Place the floor brush into ① the suction hose and twist until it clicks into place.
- To separate the parts ②, press the locking button.

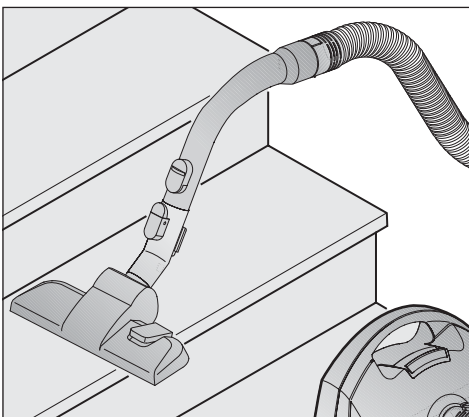
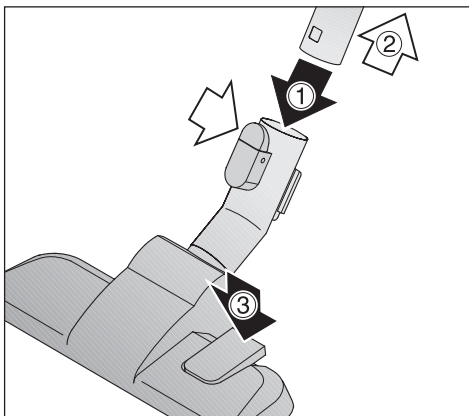
## Adjusting the floor brush ③

To clean carpets and area rugs:

- Press the foot switch marked  or .

To clean hard flooring:

- Press the foot switch marked  or .



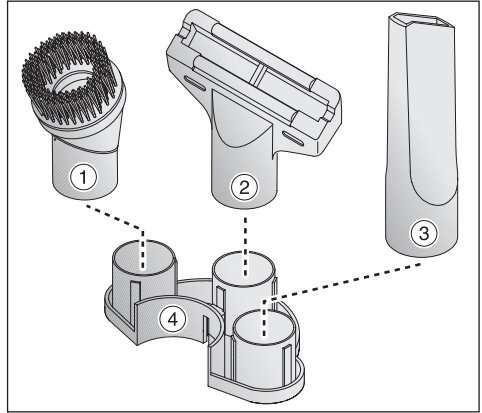
For safety, when vacuuming stairs it is best to start at the bottom and move upwards.

## Included accessories

The following accessories are included:

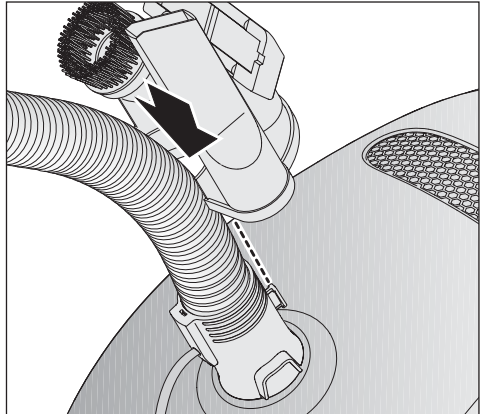
- ① Dust brush with natural bristles
- ② Upholstery tool
- ③ Crevice nozzle
- ④ Accessory clip for the included accessories

Position the accessories as indicated.



### Accessory clip

- Press onto the elbow until it clicks into place.



### Floor brush Parquet-3

(depending on model)


Special brush with natural bristles intended for cleaning parquet and laminate floors, especially those susceptible to scratching.

The parquet floor brush can be cleaned with the vacuum cleaner using the crevice nozzle if necessary.



# Use

## Power cord

 Unwind the cord completely to aid the vacuum in dissipating heat.


Do not pull or carry by the cord, use the cord as a handle, close a door on the cord, or pull the cord around sharp edges or corners. Do not run the appliance over the cord. Keep the cord away from heated surfaces.

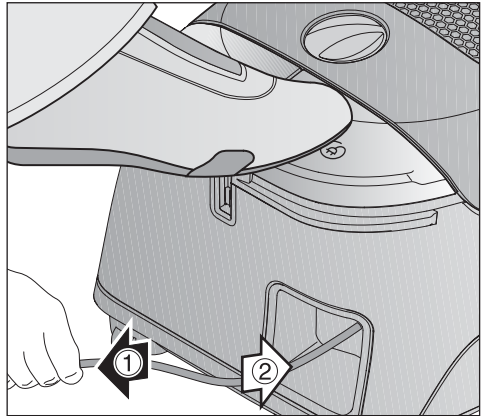
Do not unplug by pulling the cord. To unplug grasp the plug, not the cord.

This appliance is equipped with a power cord reel. Hold the plug when rewinding onto cord reel. Do not allow plug to whip when rewinding.

## Unwinding

- Hold the plug and pull ① out the power cord.

 To reduce the risk of electric shock, the vacuum has a polarized plug (one blade is wider than the other). This plug will fit in a polarized outlet only one way. If the plug does not fit fully in the outlet, contact a qualified electrician. Do not alter the plug in any way.  
Danger of overheating and damage.



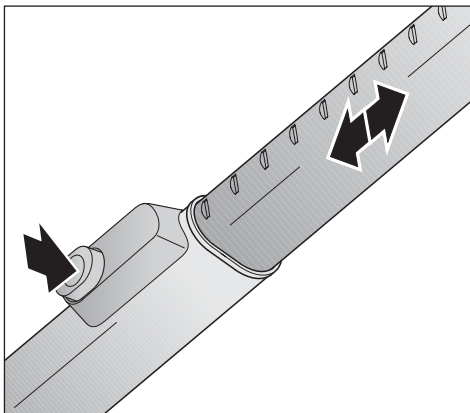
## Rewinding

- Unplug the vacuum from the outlet.
- Press the rewind switch - the power cord will rewind automatically ②.  
Hold the plug so that it does not whip around when rewinding.

## Adjusting the Electro Telescopic suction wand

One part of the electro telescopic wand is fitted inside the other and can be adjusted to your height for comfortable vacuum cleaning.

- Press the telescopic wand release button to release the tubes and adjust to the desired height.



# Use







## Turning the vacuum On/Off

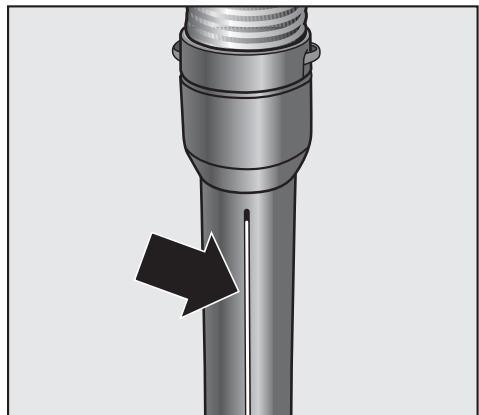
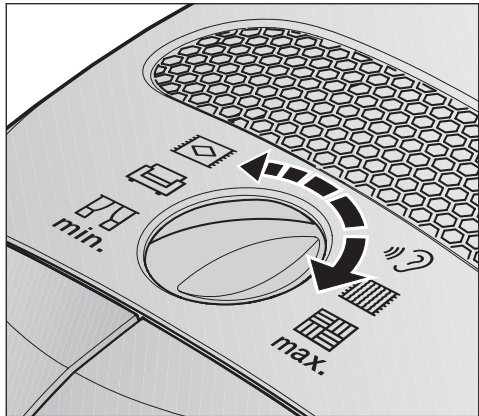
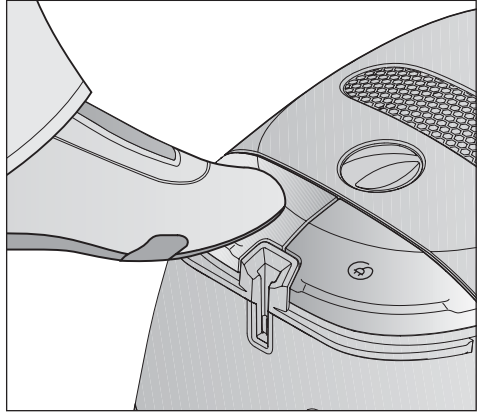
- Press the On/Off foot switch ①.


## Adjusting the suction

You can adjust the suction power to suit the type of flooring. By reducing the suction power the floor brush can be pushed easier.

The symbols on the controls indicate the type of use the settings are suitable for.

-  curtains, lightweight fabrics
  -  upholstery, cushions
  -  thick pile carpets, rugs and runners
  -  energy saving, daily vacuuming with low noise level
  -  low pile carpets
  -  hard flooring and intensive cleaning of carpets
- Turn the suction power selector to the desired setting.



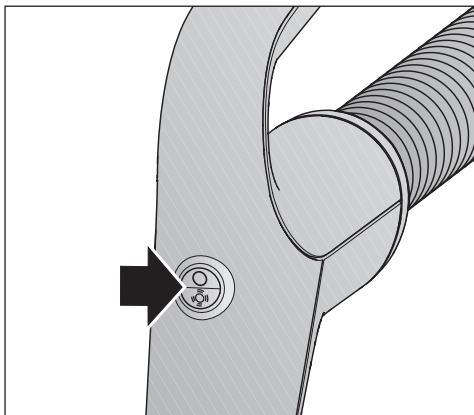
 To prevent static electricity your hand must touch the metal inlay on the underside of the vacuum hand piece. Be certain to continuously touch this inlay when vacuuming fine dust, flour or sawdust as these materials are more likely to create a static discharge. To further prevent static discharge while vacuuming, pull the vacuum along by the hose with one hand while continuing to hold the hand piece in the other hand.



## Turning the Powerbrush On/Off

The Powerbrush is turned on and off separately from the vacuum using the hand piece.

The button allows you to turn off the Powerbrush, e.g. when moving from wall-to-wall carpeting to a persian rug.



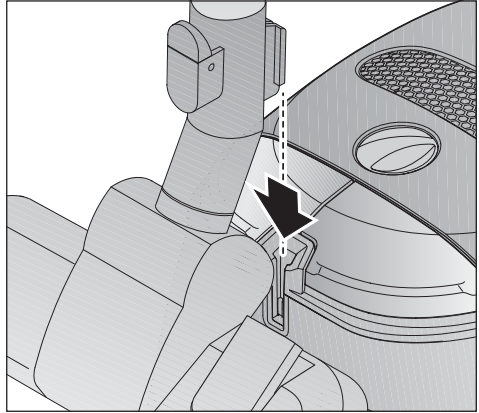
# Transport and storage

## Park system

(Cannot be used with the Powerbrush SEB 228 / EB03.)

The Park system allows you to conveniently park the telescopic wand on the vacuum cleaner during brief pauses.

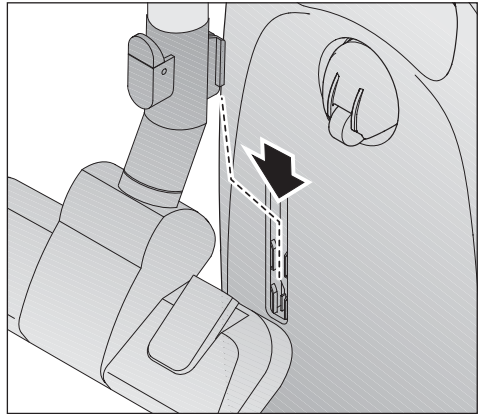
- A special parking attachment is fitted to all floor brushes. Insert the lower clip on the floor brush into the slot on the end of the vacuum cleaner from above.




When vacuuming on a sloping surface, e.g. on a ramp, push all telescopic tubing parts completely together.

## Transport and storage

- For easier transportation and storage stand the vacuum cleaner vertically.
- Insert the parking clip attachment on the floor tool or floor brush into the parking slot from above (does not apply to Powerbrush SEB 228 / EB03).
- To save space, completely collapse the tubes in the telescopic wand.




 Turn off and unplug the vacuum cleaner before performing any maintenance work.

The Miele filter system consists of the following three components.

- Dustbag
- Exhaust filter
- Dust compartment filter

Each of these components must be changed periodically to maintain the vacuum cleaner's efficiency.

Only use Miele dustbags, filters and accessories with the "Original Miele" logo. Only then can the suction power of the vacuum cleaner reach its optimum potential creating the best possible cleaning results.

 The use of dustbags made of paper or a similar material, or dustbags with a cardboard retaining plate can lead to serious damage to the vacuum cleaner and possibly voiding the warranty, just as with the use of dustbags without the "Original Miele" logo.

### Purchasing new dustbags and filters

Original Miele dustbags and filters can be purchased from an authorized Miele vacuum dealer or by visiting the Miele store at <http://store.miele.com>.

### Which dustbags and filters are the right ones?

This vacuum cleaner uses Original Miele dustbags Type **G/N** and an Original Miele filters, the "Original Miele" Logo will appear on the packaging or directly on the dustbag.



An "Air clean" exhaust filter and a dust compartment filter are supplied with every box of Miele dustbags. If you would like to purchase additional Miele filters separately, contact your vacuum dealer or Miele, please quote the model number of your Miele vacuum cleaner to ensure correct parts are ordered. These parts are also available to order from the online Miele store.

The exhaust filter supplied with the vacuum cleaner can be exchanged with another type of Original Miele filter (see "Exchanging exhaust filters").

# Maintenance and care

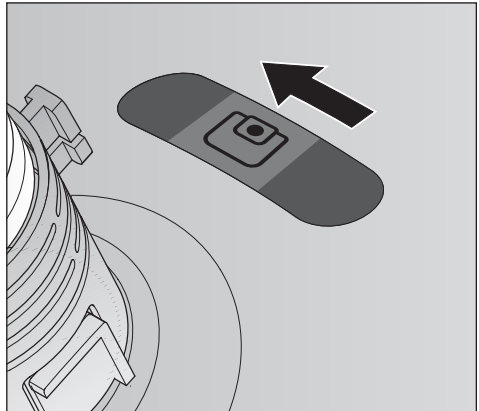
## When to change the dustbag

Change the dustbag when the colored marker in the airflow indicator fills the display.

Miele dustbags are disposable and made to be used only once. Do not attempt to reuse.

### Checking the airflow indicator

- Attach the standard floor brush (depending on model) to the vacuum cleaner. Perform this test with the floor brush only, other attachments can affect the function of the airflow indicator.
- Turn the vacuum cleaner on and select the highest power setting.
- Lift the floor brush slightly off the floor. If the marker completely fills the indicator window, the dustbag needs to be changed.



### How the airflow indicator works

The airflow indicator is designed to show when the bag is full of common household dust and measures the amount of air flow through the dustbag. Normal household dust is a mixture of dust, hair, carpet fluff, threads, sand, etc.

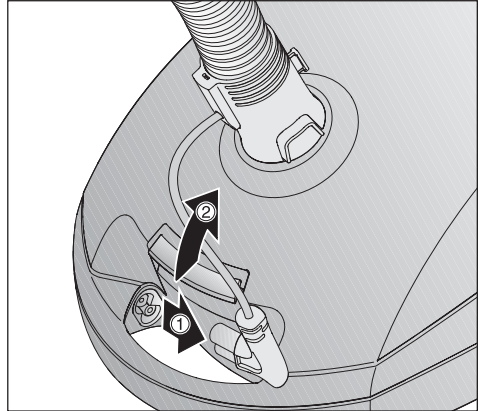
However, if fine dust, such as drill dust, sand, plaster or flour is vacuumed, the pores of the dustbag may become blocked. The marker will indicate that the bag is "full" even when it is not. The dustbag should be changed as the suction power is greatly reduced.

If the bag is bulging with pet fur, hair, carpet fluff, etc. the indicator may not register "full". This is because the air flow of the dustbag may still be high enough not to activate the marker to show maximum. The dustbag should still be changed.

## Replacing the dustbag

- Pull ① the plug from the socket
- Open ② the dust compartment lid and raise until it clicks into place.

The dustbag has a closing flap which closes automatically when the dust compartment lid is raised to prevent any dust from escaping.

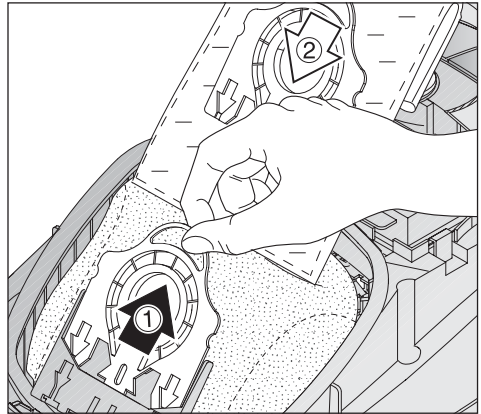



- Grasp the finger grip and pull ① the dustbag out of the holder.

- Insert ② the new dustbag as far as it will go into the dustbag holder. Do not unfold the dustbag when taking it out of the box.

- Unfold the dustbag in the dust compartment.

- Close the dust compartment lid until it clicks into place. Take care not to jam the dustbag in the lid.



 An empty-operation-barrier blocks the dust compartment lid from closing if no dustbag is inserted. Do not force it closed.

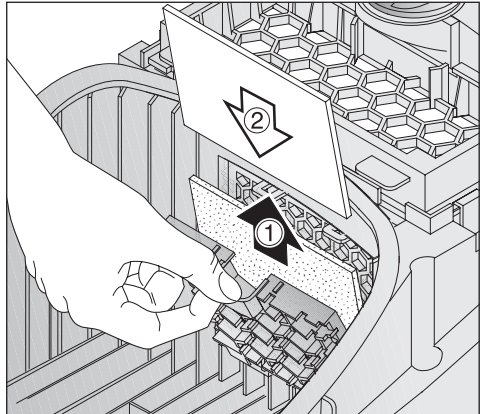
## Maintenance and care

### When to change the dust compartment filter (Pre-motor filter)

Change the filter each time you open a new box of genuine Miele dustbags. A dust compartment filter is supplied with each box.

### Replacing the dust compartment filter (Pre-motor filter)

- Open the dust compartment lid.
- Open the filter frame, remove the old filter, and insert a new filter.
- Close the filter frame.
- Close the dust compartment lid.



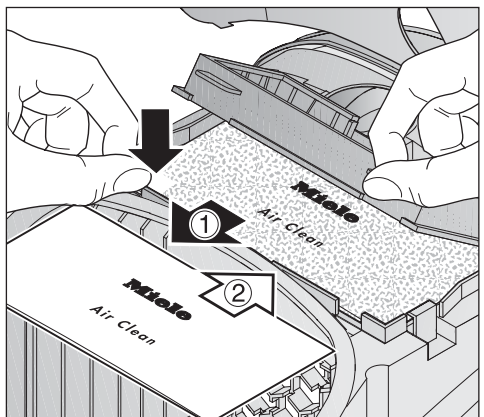
### When to replace the Air Clean exhaust filter

Each time a new box of Miele dustbags is opened, this filter should be changed. A new Air Clean exhaust filter is included in every box of Miele dustbags.

### Replacing the Air Clean filter

Do not use more than one filter at a time.

- Open the dust compartment lid.
- Open the filter frame until it clicks, grasp the clean corner (see arrow) and remove the used filter ①.
- Insert the new filter ②.
- Close the filter frame.
- Close the dust compartment lid.



## Exchanging exhaust filters

Depending on the model, there may also be an Active HEPA exhaust filter included which can be used instead of the standard Air Clean exhaust filter.

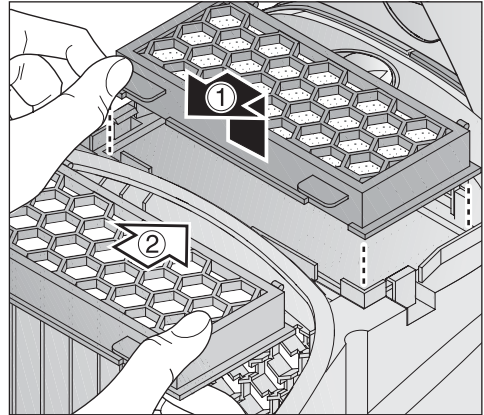
In order to use the Active HEPA filter the Air Clean filter and filter frame must be removed.

## When to change the Active HEPA exhaust filter

Change this filter approximately once a year. You can make a note of the date directly on the exhaust filter.

## Replacing the Active HEPA exhaust filter

- Open the dust compartment lid.
- Remove the used exhaust filter ①.
- Insert a new filter ②.
- Close the dust compartment lid.



## Maintenance and care

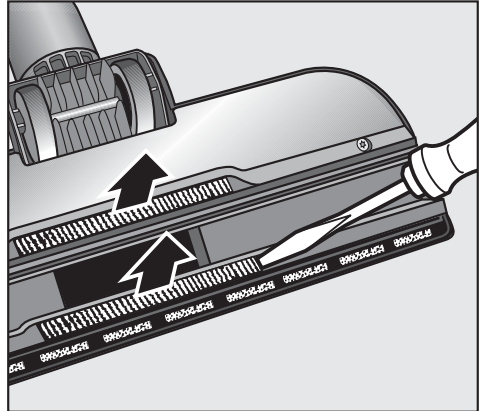
### When to change the thread catcher on the standard floor brush

(depending on model)

The thread catcher on the floor brush should be replaced as soon as they appear worn.


### Replacing the thread catchers

- Use a screwdriver or similar object to remove the thread catchers from the slots.
- Insert the new thread catchers.




Spare parts are available from your Miele dealer or from Miele.



 Turn off the vacuum and unplug it from the outlet before performing any maintenance work.

## Vacuum cleaner and accessories


The vacuum cleaner and other plastic accessories can be cleaned with a damp cloth or a cleaner suitable for plastics.

 Do not use abrasive, glass or all purpose cleaners, or oil-based conditioning agents! They will damage the surface.

## Dust compartment


The dust compartment can, if necessary, be cleaned using a **dry** cloth, dusting brush or a second vacuum to remove any dust.

Monitor the airflow indicator and inspect all filters regularly. Clean or replace them when necessary according to these Operating Instructions.

 Do not submerge the vacuum in water. If moisture gets into the appliance there is the risk of an electric shock.

# Frequently asked questions / Technical Service

---

 Turn off and unplug the vacuum cleaner before performing any maintenance work.

## What if the vacuum turns off automatically?

The vacuum has overheated. The temperature limiter automatically turns the vacuum off.

This can occur if, for instance, large articles block the suction tube or when the filter bag is full or contains particles of fine dust. A heavily soiled exhaust or dust compartment filter can also be the cause of overheating. Turn the vacuum off and pull the plug from the outlet.

Check for any blockages and allow the vacuum to cool for 30 minutes.

## After sales service

In the event of a fault which you cannot fix yourself please contact the Miele Service Department at the phone number listed on the back of this booklet.

- Please quote the model type of your appliance.

This can be found on the data plate on the bottom of the vacuum.

Observe the cleaning instructions of the floor manufacturer.

Many of these accessories as well as other products can be purchased from the Miele Store at [www.Mieleusa.com](http://www.Mieleusa.com).

Some models come standard with one or more of the following accessories.

### **Turbo / Floor brushes**

#### **Turbobrush Turbo Comfort - 3**

Intended for cleaning short to medium pile carpeting.

#### **Hand Turbobrush Turbo Mini**

Intended for vacuuming upholstery, mattresses, car seats, carpeted stairs and other areas inaccessible with the standard Turbobrush.

#### **Floor brush Hard floor - 3**

To vacuum sturdy hard floors, e.g. tiles and stone floors.

#### **Floor brush Parquet - 3**

Special brush with natural bristles intended for cleaning parquet and laminate floors, especially those susceptible to scratching.

#### **Floor brush Parquet Twister with swiveling head**

For cleaning all hard flooring, e.g. parquet and tiles. Especially suitable for vacuuming niches and tight spaces.

#### **Floor brush Parquet Twister XL with swiveling head**

For cleaning large areas of hard flooring, e.g. parquet and tiles.

# Optional accessories

---

## Other accessories

### MicroSet

For cleaning small objects and difficult to reach areas (such as PC keyboards, stereo equipment, carved furniture and ornaments, models, etc).

### CarCare accessory case

For cleaning car interiors.

### HomeCare accessory case

For cleaning your home.

### Universal brush

For dusting bookshelves, mantles, molding, ceiling fans, sculptures, etc.

### Radiator brush

For cleaning radiators, vents, refrigerator coils, air conditioners, decorative vases, etc.

### Mattress tool

For cleaning deep crevices, mattresses and upholstery.

### Crevice nozzle 12" (300 mm)

For cleaning in folds, crevices, corners, etc.

### Crevice nozzle 22" (560 mm)

For cleaning hard to reach areas.

### Upholstery tool 7 ½" (190 mm)

For cleaning upholstered furniture, mattresses and pillows.

**What The Warranty Covers And For What Period The Coverage Extends**

Miele, Inc. (hereinafter "Miele") warrants to the original purchaser of this product, living in the United States of America, who purchased their vacuum from a Miele authorized distributor or dealer:

- a. That this product, including all of its Miele authorized parts is free of defects in material and workmanship.
- b. That this product, if found to be defective within the stated warranty period, will be repaired free of charge to the consumer (both parts and labor) by an authorized Miele service agent.
- c. The warranty period for vacuum cleaners and accessories, excluding vacuum cleaner motors, and vacuum cleaner casings (body), is one (1) year from the date of purchase.
- d. For vacuum cleaner casings (body), the warranty period will be as follows:
  - The structural integrity of the vacuum cleaner casing (body) will be covered for seven (7) years from the date of purchase against defects in material and workmanship on the S2xxx, S4xxx, S5xxxx, S6xxx, S7xxx, and S160 product series.
- e. For vacuum cleaner motors, the warranty period will be as follows:
  - Vacuum motors will be covered for seven (7) years from the date of purchase on the S2xxx, S4xxx, S5xxx, S6xxx, S7xxx, and S160 product series.

Vacuum cleaners used for commercial purposes, except for their motors, will be warranted for a period of six (6) months from the date of purchase. The motors of commercially used upright vacuums will be warranted for one (1) year and the motors of all other commercially used vacuum cleaners will be warranted for two (2) years. Thereafter this Limited Warranty shall be null and void.

This warranty only applies while the product remains within the United States, and shall be null and void in any other US territories, possessions, or foreign countries.

**What is not covered by this Warranty**

This warranty does not cover damage or defects caused by or resulting from repairs, service or alterations to the product or any of its parts or accessories which have been performed by service centers or repairmen not authorized by Miele, or damage or defects caused by negligence, accident, abuse, misuse, improper or abnormal usage or maintenance of the product, its parts or accessories. Ordinary wear and tear or cosmetic damage (scuffs, scratches, gauges, dents, etc.) shall not be considered a defect in materials or workmanship.

**Exclusion of Other Warranties**

Except for the limited warranty provided herein, Miele disclaims any and all other express warranties with respect to the product. Any warranty of merchantability or fitness for a particular purpose is limited in its duration to the term of the limited warranty provided herein.

Some states do not allow limitations on how long an implied warranty lasts, so the above limitation may not apply to you.

**Limitation of Liability for Special, Incidental or Consequential Damages**

Miele will assume no liability, or other obligation with respect to any personal injury or property damage resulting from the use of a vacuum cleaner, or its accessories, replacement parts, etc., which has not been purchased from, or serviced by an Authorized Miele Dealer. Any purchaser who obtains a vacuum cleaner, accessories, replacement parts, etc., from someone other than an Authorized Miele dealer proceeds at their own risk.

Miele specifically disclaims any and all liability, whether directly or by way of indemnity, for special incidental, consequential or other damages, whether based on breach of contract, tort, strict or product liability, or any other legal theory.

Some states do not allow the exclusion or limitation of incidental or consequential damages, so the above limitation may not apply to you.

**Special State Laws**

This Limited Warranty gives you specific legal rights; you may have other rights, which vary, from state to state.

**Service**

For service under this Limited Warranty, or for information you may need about the product, please contact Miele at the US address listed on the back of this booklet, or visit us at .

**Authorized Miele Dealers**

To find an authorized Miele dealer in your area, please visit our website .

Effective Date: April 1, 2012  
©2012 Miele, Inc.

### **Disposal of the packing material**

The cardboard box and packaging protect the appliance during shipping. These materials are biodegradable and recyclable. Please recycle.

Ensure that any plastic wrappings, bags etc. are disposed of safely and kept out of the reach of children.  
Danger of suffocation!

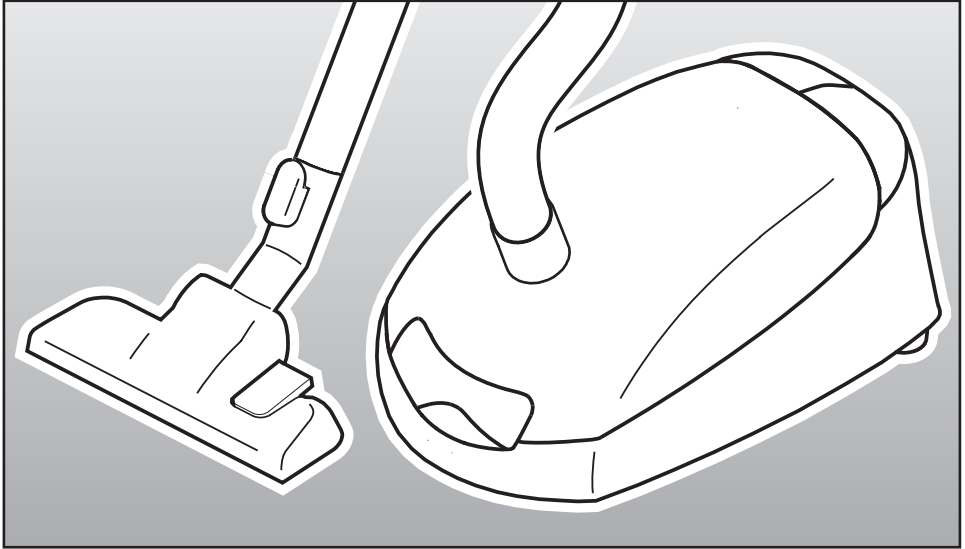
### **Disposal of an old machine**

Old appliances may contain materials that can be recycled. Please contact your local recycling authority about the possibility of recycling these materials.





## Instructions d'utilisation



### Aspirateur S 2001

**Utilisez seulement des sacs à poussière portant le sceau de qualité Miele et des filtres Miele d'origine. Vous obtiendrez ainsi une puissance d'aspiration optimale et une utilisation maximale des sacs. Le fait d'utiliser des sacs à poussière d'une autre marque pourrait endommager l'aspirateur et invalider la garantie.**

Afin de prévenir les accidents et d'éviter d'endommager l'appareil, veuillez lire attentivement les instructions **avant** l'installation et l'utilisation.


**HS12**

fr - CA

M.-Nr. 07 851 591

**Seuls des sacs à poussière, des filtres et des accessoires portant le logo "Original Miele" doivent être utilisés avec cet aspirateur.** Ceux-ci permettent de maximiser la puissance d'aspiration de l'aspirateur et de produire des résultats de nettoyage optimaux.

**L'UTILISATION DE COMPOSANTES D'UNE AUTRE MARQUE POURRAIT INVALIDER LA GARANTIE.**

 Tout comme l'utilisation de sacs à poussière n'arborant pas le logo "Original Miele", l'utilisation de sacs à poussière faits de papier ou de matériau similaire, ou de sacs à poussière munis d'une plaque de retenue en carton, peut endommager gravement l'aspirateur et risquer d'en annuler la garantie.

**Le logo "Original Miele" se trouve sur l'emballage ou directement sur le sac à poussière.**



**Vous pouvez vous procurer des sacs à poussière et des filtres**

Miele d'origine auprès d'un détaillant autorisé d'aspirateurs Miele ou à notre magasin Miele en ligne, à [www.mieleusa.com](http://www.mieleusa.com).

# Table des matières

<b>INSTRUCTIONS IMPORTANTES DE SÉCURITÉ</b>	4
<b>Guide de l'appareil</b>	8
<b>Avant d'utiliser l'aspirateur</b>	10
<b>Accessoires fournis</b>	13
<b>Utilisation</b>	14
Cordon d'alimentation	14
Mise en marche et arrêt de l'aspirateur	16
Réglage de la puissance d'aspiration	16
Mise en marche et arrêt de l'électrobrosse	17
<b>Transport et rangement</b>	18
<b>Entretien</b>	19
Achat de nouveaux sacs à poussière et de filtres	19
Les sacs à poussière et les filtres convenant à votre appareil	19
À quel moment remplacer le sac à poussière?	20
Remplacement du sac à poussière	21
À quel moment remplacer le filtre du réservoir à poussière (filtre situé devant le moteur)?	22
Remplacement du filtre du réservoir à poussière (filtre situé devant le moteur)	22
À quel moment remplacer le filtre d'évacuation Air Clean?	23
Remplacement du filtre Air Clean	23
Interchangement des filtres d'évacuation	24
À quel moment remplacer le filtre d'évacuation Active HEPA?	24
Remplacement du filtre Active HEPA	24
À quel moment remplacer les capteurs de fils sur la brosse à plancher standard?	25
Remplacement des capteurs de fils	25
<b>Nettoyage et entretien</b>	26
<b>Questions fréquemment posées/Service technique</b>	27
<b>Accessoires offerts en option</b>	28
<b>LIMITED WARRANTY - VACUUM CLEANERS      CDN</b>	30
<b>GARANTIE RESTREINTE - ASPIRATEURS AU CANADA</b>	32
<b>Protection de l'environnement</b>	34

# INSTRUCTIONS IMPORTANTES DE SÉCURITÉ

Lorsque vous utilisez un appareil électrique, respectez toujours les consignes de sécurité élémentaires :

## LISEZ ATTENTIVEMENT TOUTES LES INSTRUCTIONS AVANT D'UTILISER L'APPAREIL

### **AVERTISSEMENT - Pour diminuer le risque d'incendie, de choc électrique ou de blessure, respectez les instructions suivantes :**

#### **Avant la première utilisation**

► Vérifiez la capacité en voltage de l'aspirateur avant de brancher le cordon d'alimentation dans une prise électrique. La tension de votre source d'alimentation doit correspondre à la capacité en voltage indiquée sur la plaque signalétique située sous l'aspirateur. Utilisez uniquement des prises de courant alternatif. N'utilisez jamais des prises de courant continu. Consultez un électricien qualifié si vous n'êtes pas sûr de connaître la capacité en voltage de votre système électrique. Si vous branchez votre aspirateur à une source d'alimentation de tension supérieure, vous pourriez vous blesser ou endommager l'appareil.

► Pour réduire le risque de choc électrique, l'aspirateur est muni d'une fiche polarisée (l'une des broches est plus large que l'autre). Cette fiche peut être insérée dans une prise polarisée d'une seule manière. Si la fiche ne peut être entièrement insérée dans la prise, retournez-la. S'il est encore impossible de l'insérer, faites appel à un électricien qualifié qui peut installer une prise appropriée. Ne modifiez aucunement la fiche.

► Un appareil endommagé présente des risques. Vérifiez l'emballage, l'appareil et ses accessoires afin de détecter tout signe de dommages. N'utilisez pas un appareil endommagé.

► N'utilisez pas l'appareil avec un cordon ou une prise endommagé. Si l'appareil ne fonctionne pas correctement, s'il est tombé, endommagé, a été laissé à l'extérieur ou immergé dans l'eau, apportez-le à un centre de services.

► La prise électrique doit être équipée d'un fusible de 15 ampères.

# INSTRUCTIONS IMPORTANTES DE SÉCURITÉ

## Utilisation

- ▶ N'utilisez pas cette brosse pour nettoyer des personnes ou des animaux.
- ▶ N'utilisez pas l'appareil à l'extérieur ou sur des surfaces humides. Ne nettoyez que des surfaces **sèches**.
- ▶ Utilisez l'appareil conformément aux instructions du présent manuel. Utilisez uniquement les accessoires recommandés par Miele décrits dans le présent manuel.
- ▶ Cet appareil est destiné uniquement à un usage domestique.
- ▶ Cet aspirateur n'est pas un jouet. Il est nécessaire d'être vigilant lorsqu'il est utilisé à proximité d'enfants.
- ▶ N'utilisez jamais l'aspirateur si le sac à poussière ou les filtres ne sont pas en place. Vous pourriez endommager l'appareil.
- ▶ Le couvercle du réservoir à poussière ne se ferme pas si le sac à poussière n'est pas en place. Ne forcez pas le couvercle pour qu'il ferme.
- ▶ Ne laissez pas l'aspirateur branché. Débranchez-le lorsqu'il n'est pas utilisé ou avant de procéder à l'entretien.
- ▶ Une plaque de métal conçue pour absorber l'électricité statique est placée sous la poignée. Assurez-vous que votre main reste en contact avec cette plaque lorsque vous utilisez l'appareil.
- ▶ Les personnes qui, en raison de capacités physiques, sensorielles ou mentales réduites, ou d'un manque d'expérience, ne sont pas en mesure d'utiliser cet appareil doivent être supervisées ou formées par une personne responsable.
- ▶ Déroulez complètement le cordon afin de favoriser l'évacuation de la chaleur.
- ▶ N'utilisez pas cet aspirateur pour ramasser ou conserver des matières dangereuses.
- ▶ N'aspirez pas de liquides ou de poussières humides. Cela pourrait nuire à la sécurité électrique de l'appareil. Si des moquettes ont été fraîchement lavées, attendez qu'elles soient complètement sèches avant de passer l'aspirateur.
- ▶ N'aspirez aucun élément brûlant ou fumant comme des cigarettes, des allumettes ou des cendres chaudes. L'aspirateur pourrait prendre feu.
- ▶ N'aspirez pas de poudre imprimante. Cette poudre, utilisée pour les imprimantes et les photocopieurs, peut être conductrice.
- ▶ N'aspirez pas de liquides inflammables ou combustibles comme de l'essence et n'utilisez pas l'appareil dans des zones où ces matières pourraient être présentes.
- ▶ N'aspirez pas d'éléments lourds, durs ou ayant des bords coupants. Ils pourraient boucher et endommager l'appareil.

# INSTRUCTIONS IMPORTANTES DE SÉCURITÉ

▶ Ne tirez pas sur le cordon, ne vous en servez pas comme une poignée, ne le coincez pas dans une porte et ne le laissez pas en contact avec des extrémités ou des coins tranchants. Ne faites pas passer l'appareil sur le cordon. Veillez à ce que le cordon n'entre pas en contact avec des surfaces chaudes.

▶ Ne débranchez pas l'appareil en tirant sur le cordon. Tirez sur la fiche et non sur le cordon.

▶ Ne manipulez pas la fiche ou le cordon avec les mains mouillées.

▶ Veillez à maintenir vos cheveux, vos vêtements amples, vos doigts ou toute autre partie de votre corps ainsi que le cordon à distance des ouvertures et des parties mobiles de l'appareil.

▶ Afin d'éviter tout risque de blessure lorsque vous utilisez votre aspirateur, ne touchez pas à la brosse rotative de l'électrobrosse. Sinon, vous risquez de vous blesser.

▶ Ne placez aucun objet dans les ouvertures de l'aspirateur. N'utilisez pas l'appareil si l'une des ouvertures est obstruée; gardez les ouvertures libres de toute poussière, charpie, cheveu ou de tout élément qui pourrait limiter la circulation d'air.

▶ Cet appareil est muni d'un enrouleur du cordon d'alimentation. Maintenez la fiche lorsque vous enroulez le cordon de l'appareil. Ne laissez pas la fiche vivrevolter lorsque vous enroulez le cordon.

▶ Éteignez toutes les commandes avant de débrancher l'appareil.

▶ Soyez prudent lorsque vous nettoyez un escalier.

▶ Les accessoires et les tubes ne doivent pas être utilisés à la hauteur de la tête afin d'éviter tout risque de blessure aux yeux et aux oreilles.

## Accessoires

▶ Le tuyau et le tube télescopique comportent des fils électriques. N'utilisez pas l'appareil si ces éléments sont endommagés, déchirés ou percés. Évitez d'aspirer des objets pointus. Vous risquez de subir un choc électrique.

▶ Débranchez l'aspirateur avant de changer les accessoires, particulièrement l'électrobrosse.

▶ Le raccord de l'aspirateur doit être uniquement utilisé avec l'électrobrosse Miele.

▶ L'électrobrosse Miele est un accessoire actionné par un moteur, prévu pour être utilisé uniquement avec les aspirateurs Miele. L'aspirateur ne doit pas être utilisé avec une électrobrosse d'une autre marque.

▶ N'utilisez pas l'appareil sans la présence d'un accessoire placé à l'extrémité du tuyau ou du tube télescopique. Le rebord du tube pourrait être endommagé et les angles vifs pourraient causer des blessures.

▶ Les sacs à poussière Miele sont jetables. Ne les réutilisez pas. Un sac trop plein diminuera l'efficacité de l'aspirateur.

# INSTRUCTIONS IMPORTANTES DE SÉCURITÉ

► Utilisez seulement des sacs à poussière portant le sceau de qualité Miele et des filtres et accessoires Miele d'origine. Ce sont les seuls qui sont garantis par le fabricant.

► Éteignez toujours cet appareil avant de brancher ou de débrancher le tuyau ou la buse motorisée.

## Nettoyage, entretien et réparations

► Éteignez l'aspirateur après chaque utilisation et avant d'effectuer l'entretien. Retirez la fiche de la prise de courant.

► Ne plongez jamais l'aspirateur dans l'eau. Utilisez uniquement un chiffon sec ou légèrement humide pour nettoyer l'appareil une fois qu'il est débranché. Si l'humidité pénètre dans l'appareil, vous risquez de subir un choc électrique.

► Surveillez le voyant de remplacement du sac à poussière et vérifiez régulièrement les filtres. Pour obtenir un rendement optimal, le sac à poussière et les filtres doivent être remplacés fréquemment. Un sac plein ou un filtre obstrué réduit la puissance d'aspiration de l'appareil. Un limiteur de température éteint automatiquement l'aspirateur si ce dernier surchauffe, voir la section "Foire aux questions".

► Le tuyau et le tube télescopique comportent des fils électriques. Ils ne doivent pas entrer en contact avec de l'eau. Pour nettoyer ces pièces, utilisez un linge sec. Autrement, vous risqueriez de subir un choc électrique.

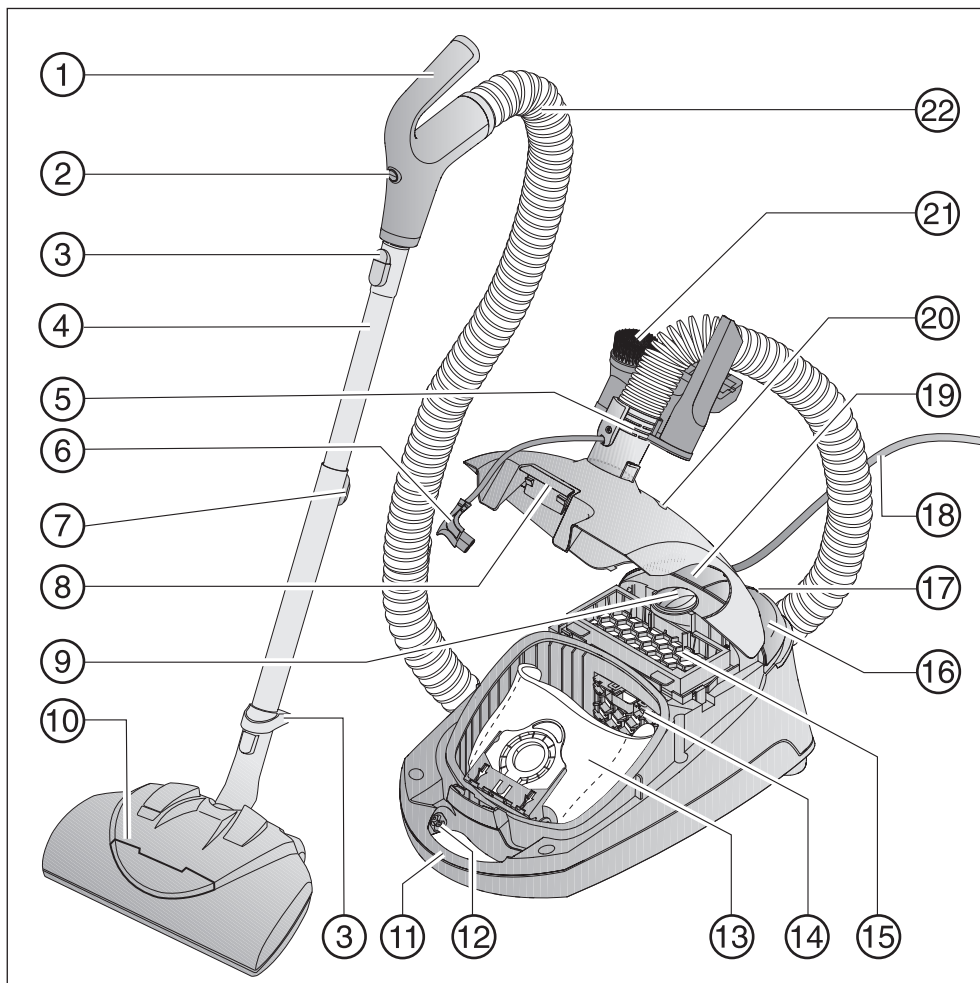
► Les réparations doivent être effectuées uniquement par un technicien autorisé, conformément aux normes de sécurité nationales et locales. Les réparations effectuées par des personnes non qualifiées pourraient causer des blessures ou endommager l'appareil et pourraient invalider la garantie.

## Mise au rebut d'un ancien appareil

► Avant de mettre au rebut votre ancien appareil, coupez le cordon d'alimentation et rendez la fiche inutilisable. Assurez-vous que votre appareil ne présente aucun danger pour les enfants jusqu'à ce qu'il soit mis au rebut.

## CONSERVEZ CES INSTRUCTIONS

# Guide de l'appareil





- ① Poignée
- ② Bouton Marche/Arrêt de l'électrobrosse
- ③ Bouton de dégagement
- ④ Tube télescopique Electro SET 220
- ⑤ Coude
- ⑥ Fiche d'alimentation pour les accessoires
- ⑦ Bouton de dégagement du tube télescopique Electro
- ⑧ Bouton d'ouverture du réservoir à poussière
- ⑨ Sélecteur de puissance d'aspiration
- ⑩ Électrobrosse  
SEB 217-3/EB02 (ne figure pas dans ce guide d'utilisation) / SEB 228/EB03  
Un autre guide d'utilisation portant sur l'accessoire en question est fourni avec l'aspirateur.
- ⑪ Poignée de transport
- ⑫ Prise pour les accessoires électriques
- ⑬ Sac à poussière
- ⑭ Filtre du réservoir à poussière (filtre situé devant le moteur)
- ⑮ Filtre d'évacuation
- ⑯ Interrupteur ① au pied
- ⑰ Système d'immobilisation
- ⑱ Cordon d'alimentation
- ⑲ Interrupteur pour réenrouler le cordon
- ⑳ Indicateur de circulation d'air
- ㉑ Attache pour accessoires avec trois outils
- ㉒ Tuyau d'aspiration SES 116.

Vous pouvez vous procurer des accessoires optionnels auprès de votre détaillant Miele ou sur le site de Miele à l'adresse [www.miele.ca](http://www.miele.ca).

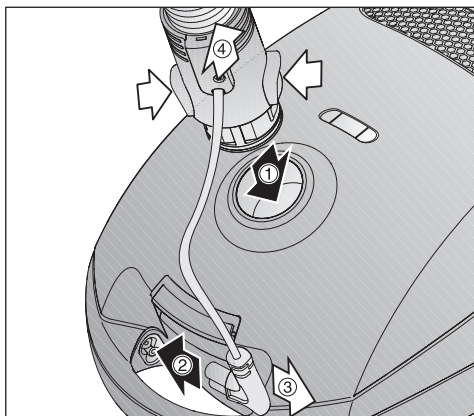
# Avant d'utiliser l'aspirateur

## Raccordement du tuyau Electro

- ① Insérez le coude dans la prise d'aspiration jusqu'à ce qu'il s'enclenche avec un déclic.
- ② Branchez le cordon d'alimentation dans la prise de courant à l'intérieur de la poignée de transport.

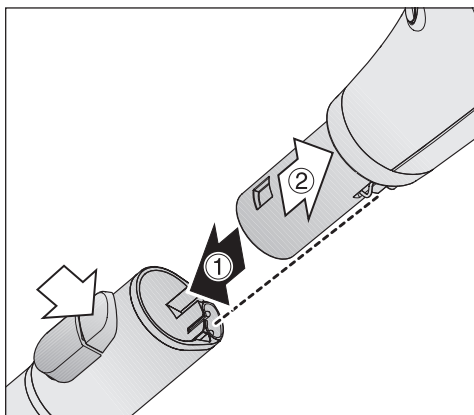
## Retrait du tuyau Electro

- ③ Retirez la fiche de la prise de courant.
- ④ Appuyez sur les deux boutons de dégagement placés sur les côtés du coude et soulevez le tuyau du raccord.



## Raccordement de la poignée et du tube télescopique Electro

- Insérez ① la poignée dans le tube télescopique Electro jusqu'à ce que vous entendiez un déclic. Pour ce faire, guidez-vous sur les aubes d'entrée.
- Pour dégager la poignée du tube télescopique, appuyez sur le bouton de verrouillage (voir la flèche) et séparez ② les deux pièces.



## Utilisation de l'électrobrosse

Respectez les instructions de nettoyage du fabricant du revêtement de sol.

L'électrobrosse convient particulièrement pour nettoyer et remettre en état les poils écrasés de la moquette ou les revêtements de sol susceptibles de s'user davantage, surtout dans les endroits plus fréquentés. L'électrobrosse peut aussi être utilisée sur les surfaces lisses.

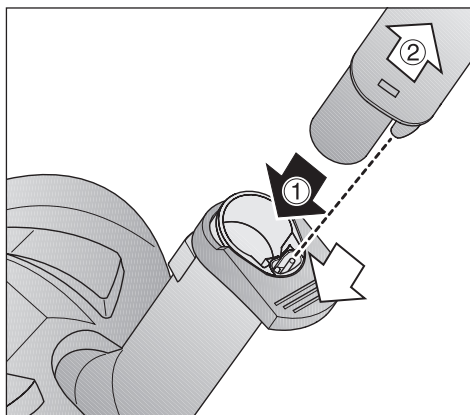
### N'utilisez pas l'électrobrosse pour nettoyer les endroits suivants :

- (SEB 217-3/EB02 seulement) Les planchers dont la surface est inégale. La brosse pourrait endommager le plancher.
- Les tapis noués à la main de qualité supérieure, comme les tapis berbères ou de style oriental, ainsi que les petits tapis et les moquettes à poils très longs. L'électrobrosse pourrait arracher les fils de ces tapis. Pour nettoyer ces surfaces, éteignez l'électrobrosse et utilisez seulement la puissance d'aspiration normale de votre appareil.

### Raccordement de l'électrobrosse au tube télescopique Electro

- Insérez ① le tube télescopique Electro dans l'électrobrosse jusqu'à ce que vous entendiez un déclic.
- Pour séparer les deux pièces, appuyez sur le bouton de dégagement et retirez le tube en tirant vers le haut ②.

Veuillez vous reporter aux instructions fournies avec l'électrobrosse pour en savoir davantage sur son fonctionnement et son entretien.



# Avant d'utiliser l'aspirateur

## Utilisation de la brosse à plancher standard

(selon le modèle)

Respectez les instructions de nettoyage du fabricant du revêtement de sol.

La brosse à plancher convient au nettoyage de la moquette, des tapis, des tapis d'escalier et des surfaces dures qui ne sont pas susceptibles d'être rayées.

## Raccordement de la brosse à plancher

- Placez la brosse à plancher dans ① le tuyau d'aspiration et tournez la jusqu'à ce qu'elle s'enclenche.
- Pour séparer les deux pièces ②, appuyez sur le bouton de dégagement.

## Ajustement de la brosse à plancher ③

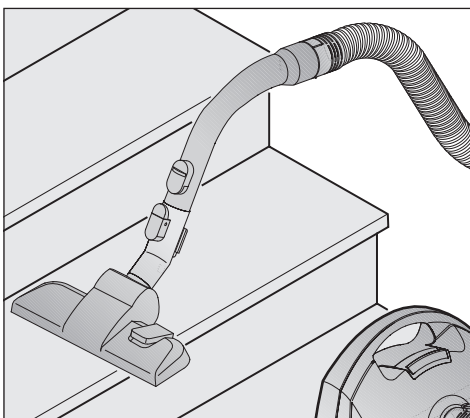
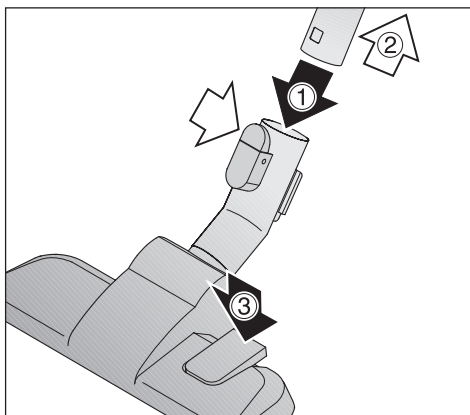
Pour nettoyer la moquette et les tapis, abaissez l'outil comme suit :

- Basculez l'interrupteur au pied à la position  ou .

Pour nettoyer les planchers lisses, relevez l'outil comme suit :

- Basculez l'interrupteur au pied à la position  ou .

Par mesure de sécurité, il est préférable de nettoyer l'escalier de bas en haut.

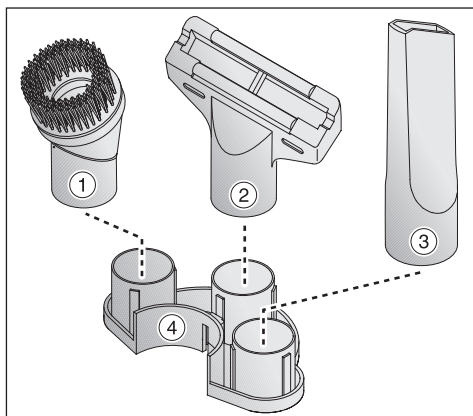


## Accessoires fournis

Les accessoires suivants sont fournis :

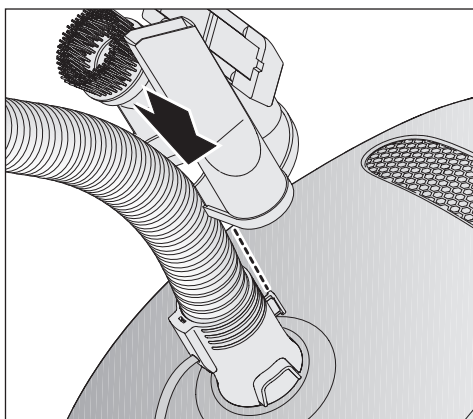
- ① Brosse à épousseter munie de poils naturels
- ② Embout pour meubles rembourrés
- ③ Suceur plat
- ④ Attache pour les accessoires inclus

Placez les accessoires de la façon indiquée.



### Attache pour accessoires

- Appuyez sur le coude jusqu'à ce qu'il s'enclenche.



### Brosse à parquet - 3

(selon le modèle)

Brosse spéciale munie de poils naturels servant à nettoyer des parquets et des planchers lamellés, plus particulièrement des parquets et des revêtements de sol susceptibles d'être rayés.


Il est possible de nettoyer la brosse à parquet avec l'aspirateur, à l'aide du suceur plat, au besoin.



# Utilisation

---

## Cordon d'alimentation

 Déroulez complètement le cordon afin de favoriser l'évacuation de la chaleur.


Ne tirez pas sur le cordon, ne vous en servez pas comme une poignée, ne le coincez pas dans une porte et ne le laissez pas en contact avec des extrémités ou des coins tranchants. Ne faites pas passer l'appareil sur le cordon. Veillez à ce que le cordon n'entre pas en contact avec des surfaces chaudes.

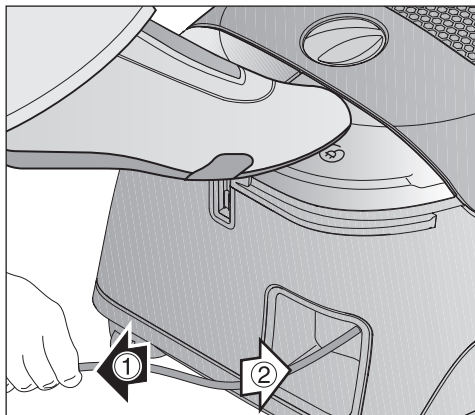
Ne débranchez pas l'appareil en tirant sur le cordon. Tirez sur la fiche et non sur le cordon.

Cet appareil est muni d'un enrouleur du cordon d'alimentation. Maintenez la fiche lorsque vous enroulez le cordon de l'appareil. Ne laissez pas la fiche virevolter lorsque vous enroulez le cordon.

## Dérroulement du cordon

- Déroulez le cordon d'alimentation ① en tirant sur la fiche.

 Pour réduire le risque de choc électrique, l'aspirateur est muni d'une fiche polarisée (l'une des broches est plus large que l'autre). Cette fiche peut être insérée dans une prise polarisée d'une seule manière. Si la fiche ne peut être entièrement insérée dans la prise, consultez un électricien qualifié. Ne modifiez aucunement la fiche. Risque de surchauffe et de dommage.



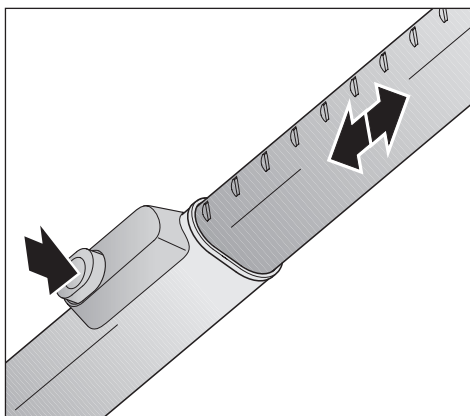
## Réenroulement du cordon

- Débranchez l'aspirateur de la prise de courant.
- Appuyez sur l'interrupteur au pied. Le cordon d'alimentation se réenroulera automatiquement ②. Tenez la fiche de façon à ce que le cordon ne virevolte pas lorsqu'il s'enroule.

## Réglage de la longueur du tube télescopique Electro

Les deux parties du tube télescopique Electro s'emboîtent, ce qui vous permet de le régler à votre taille pour une utilisation tout en confort.

- Appuyez sur le bouton de dégagement du tube télescopique afin de dégager les deux tubes et en régler la longueur.



# Utilisation







## Mise en marche et arrêt de l'aspirateur

- Appuyez sur l'interrupteur ①.

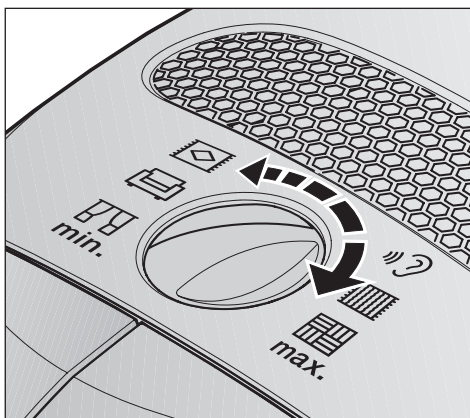
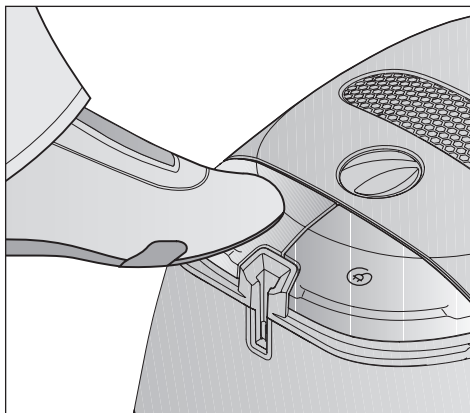
## Réglage de la puissance d'aspiration

Vous pouvez régler la puissance d'aspiration en fonction du type de surface à nettoyer. Lorsque la puissance d'aspiration est réduite, il est plus facile de manier la brosse à plancher.


Les symboles du sélecteur indiquent les types d'utilisation convenant aux différents réglages.

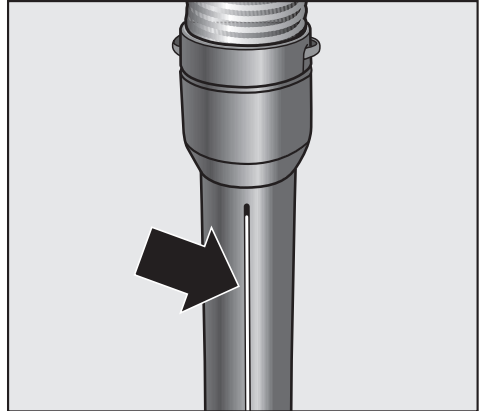
-  rideaux, tissus légers
-  meubles rembourrés, coussins
-  moquettes à poils longs, tapis et tapis de passage
-  utilisation quotidienne à faible consommation d'énergie et à faible niveau de bruit
-  tapis à poils courts légèrement sales et moquettes
-  sols durs texturés très sales et nettoyage intensif de tapis

- Tournez le sélecteur de puissance d'aspiration pour le mettre au niveau souhaité.





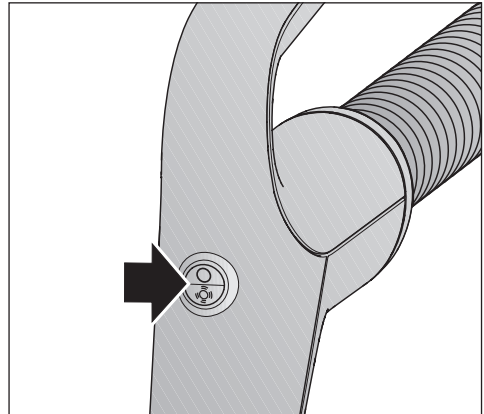
 Pour éviter la charge électrostatique, votre main doit rester en contact avec la pièce métallique placée sous la poignée. Assurez-vous que votre main enveloppe bien cette pièce lorsque vous nettoyez de la poussière fine, de la farine ou de la sciure, car ce sont les substances les plus susceptibles de causer une charge électrostatique. Pour prévenir encore davantage la charge électrostatique pendant le nettoyage, tirez l'aspirateur en le tenant par le tuyau d'une main tout en enveloppant la poignée de l'autre main.



## Mise en marche et arrêt de l'électrobrosse

L'électrobrosse peut être allumée et éteinte à l'aide du commutateur situé sur la poignée, indépendamment de l'aspirateur.

Ce bouton vous permet aussi d'éteindre temporairement l'électrobrosse (p. ex., pour passer de la moquette à un tapis de style oriental).



# Transport et rangement

## Système d'immobilisation

(ne peut être utilisé avec l'électrobrosse SEB 228/EB03)

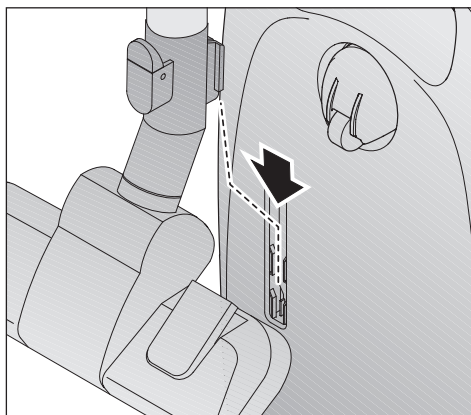
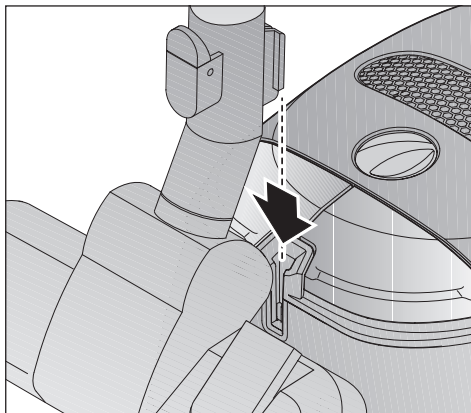
Le système d'immobilisation vous permet d'immobiliser le tube télescopique sur l'aspirateur pendant de brèves pauses.


- Toutes les brosses sont munies d'un accessoire d'immobilisation. Insérez par le haut l'attache inférieure se trouvant sur la brosse dans la fente située à l'extrémité de l'aspirateur.

Si l'aspirateur se trouve sur une surface inclinée, comme une rampe, glissez complètement toutes les sections du tube télescopique à l'intérieur.

## Transport et rangement

- Pour faciliter le transport et le rangement, mettez l'aspirateur debout.
- Insérez par le haut l'attache de l'accessoire d'immobilisation sur la brosse à plancher dans la fente prévue à cet effet (ne s'applique pas à l'électrobrosse SEB 228/EB03).
- Afin d'économiser de l'espace, insérez complètement la rallonge ou l'extension dans le tube télescopique.




 Éteignez et débranchez l'aspirateur avant d'effectuer des travaux d'entretien.

Le système de filtrage Miele comprend les trois composantes suivantes :

- Sac à poussière
- Filtre d'évacuation
- Filtre du réservoir à poussière (pour protéger le moteur)

Afin que l'aspirateur demeure efficace, chacune de ces composantes doit être changée périodiquement.

Utilisez uniquement des sacs à poussière, des filtres et des accessoires de Miele portant le logo "Original Miele". Ainsi, la puissance d'aspiration de l'aspirateur sera maximale et vous obtiendrez des résultats de nettoyage optimaux.

 Tout comme l'utilisation de sacs à poussière n'arborant pas le logo "Original Miele", l'utilisation de sacs à poussière faits de papier ou de matériau similaire, ou de sacs à poussière munis d'une plaque de retenue en carton peut endommager gravement l'aspirateur et risquer d'en annuler la garantie.

### Achat de nouveaux sacs à poussière et de filtres

Vous pouvez vous procurer des sacs à poussière et des filtres auprès d'un détaillant autorisé d'aspirateurs Miele ou en visitant la boutique Miele en ligne à l'adresse :

<http://www.miele.ca/miele/canada/boutique.asp>.

### Les sacs à poussière et les filtres convenant à votre appareil

Les sacs à poussière Miele d'origine, munis d'une poignée bleue, portant les lettres **G/N** et le sceau de qualité Miele conviennent à votre appareil.

**ORIGINAL**  
**Miele**



Un filtre Air Clean et un filtre du réservoir à poussière (filtre situé devant le moteur) sont compris dans chaque boîte de sacs à poussière. Vous pouvez vous procurer d'autres filtres auprès d'un détaillant Miele autorisé ou en visitant la Boutique Miele en ligne.

# Entretien

## À quel moment remplacer le sac à poussière?

Remplacez le sac à poussière lorsque l'indicateur de couleur remplit la fenêtre de l'indicateur de circulation d'air.

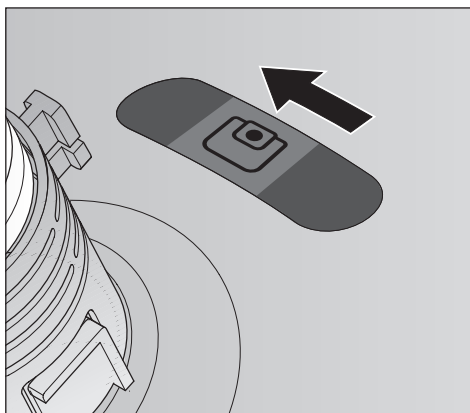
Les sacs à poussière Miele sont jetables. Ne les réutilisez pas.

### Vérification de l'indicateur de circulation d'air

- Fixez la brosse à plancher standard (selon le modèle) à l'aspirateur. Faites l'essai uniquement avec la brosse à plancher, car les autres accessoires peuvent nuire au fonctionnement de l'indicateur de circulation d'air.
- Mettez en marche l'aspirateur et sélectionnez le niveau de puissance maximale.
- Soulevez légèrement la brosse à plancher du sol. Si l'indicateur remplit la fenêtre, il faut remplacer le sac à poussière.

### Fonctionnement de l'indicateur de circulation d'air

L'indicateur de circulation d'air indique à quel moment le sac est rempli de poussière usuelle et fonctionne en mesurant la perméabilité à l'air du sac. La poussière que l'on trouve habituellement dans une résidence est un mélange de poussières, de cheveux, de peluches, de fils, de grains de poussière, etc.



Cependant, si vous aspirez une certaine quantité de poussière fine, telle que de la poussière de forage, du sable, du plâtre ou de la farine, le matériau poreux du sac à poussière se bouche. La fenêtre de l'indicateur affiche alors que le sac est plein, même s'il ne l'est pas en réalité. Il faut tout de même remplacer le sac à poussière, car la puissance d'aspiration est réduite.

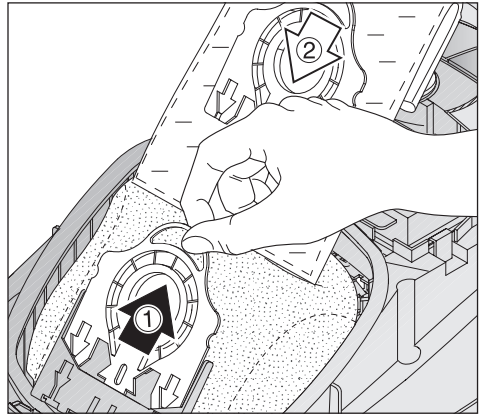
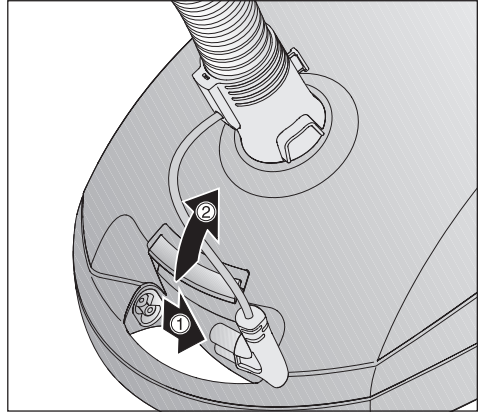
Si vous aspirez une grande quantité de poils d'animaux, de cheveux, de peluches, etc. et que le sac en est gonflé, il est possible que la fenêtre de l'indicateur n'affiche pas que le sac est plein. Cela est dû au fait que le sac à poussière est encore suffisamment perméable à l'air à un point tel que la fenêtre de l'indicateur ne se remplisse pas. Cependant, le sac à poussière doit être changé.

## Remplacement du sac à poussière

- Retirez ① la fiche de la prise de courant.
- Ouvrez ② le couvercle du réservoir à poussière et relevez-le jusqu'à ce que vous entendiez un déclic.

Le sac à poussière est muni d'un rabat qui se ferme automatiquement lorsque le couvercle du réservoir à poussière est ouvert pour éviter que la poussière ne s'échappe.

- Tirez sur la poignée ① afin de retirer le sac à poussière de son support.
- Insérez ② un nouveau sac à poussière et enfoncez-le le plus possible dans son support. Ne dépliez pas le sac à poussière lorsque vous le retirez de la boîte.
- Dépliez le sac à poussière dans le réservoir.
- Refermez bien le couvercle. Poussez jusqu'à ce qu'il s'enclenche. Faites attention que le sac à poussière ne reste pas coincé dans le couvercle.



**⚠** Un dispositif spécifique empêche le couvercle du réservoir à poussière de se refermer si aucun sac à poussière n'est inséré. Ne forcez pas le couvercle pour qu'il ferme.

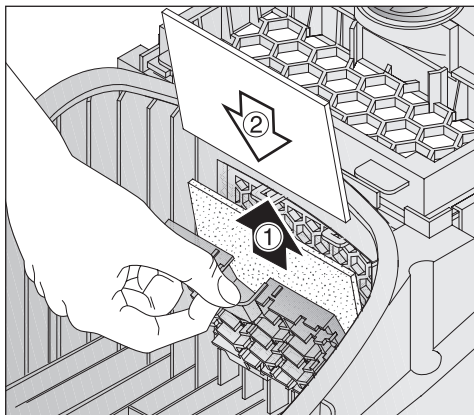
## Entretien

### À quel moment remplacer le filtre du réservoir à poussière (filtre situé devant le moteur)?

Remplacez le filtre chaque fois que vous ouvrez une nouvelle boîte de sacs à poussière Miele. Chaque boîte contient un filtre de réservoir à poussière.

### Remplacement du filtre du réservoir à poussière (filtre situé devant le moteur)

- Ouvrez le couvercle du réservoir à poussière.
- Soulevez la grille du filtre, retirez l'ancien filtre et remplacez-le par un nouveau.
- Rabaissez la grille du filtre.
- Refermez le couvercle.



## À quel moment remplacer le filtre d'évacuation Air Clean?

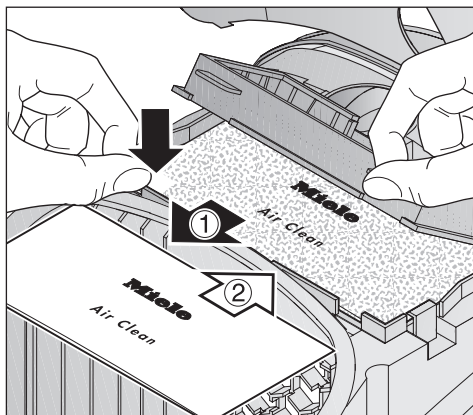
Chaque fois que vous ouvrez une nouvelle boîte de sacs à poussière Miele, vous devez changer ce filtre.

Chaque boîte de sacs à poussière Miele contient un filtre d'évacuation Air Clean.

## Remplacement du filtre Air Clean

N'utilisez pas plus d'un filtre à la fois.

- Ouvrez le couvercle du réservoir à poussière.
- Relevez la grille du filtre jusqu'à ce qu'un déclic se fasse entendre, et retirez le filtre ① en le prenant par le coin propre (voir la flèche)
- Insérez le nouveau filtre ②.
- Rabaissez la grille du filtre.
- Refermez le couvercle.



# Entretien

## Interchangement des filtres d'évacuation

Selon le modèle, votre appareil peut également comporter un filtre Active HEPA que vous pouvez utiliser à la place du filtre d'évacuation Air Clean standard.

Afin d'utiliser le filtre Active HEPA, vous devez retirer le filtre Air Clean ainsi que sa grille.

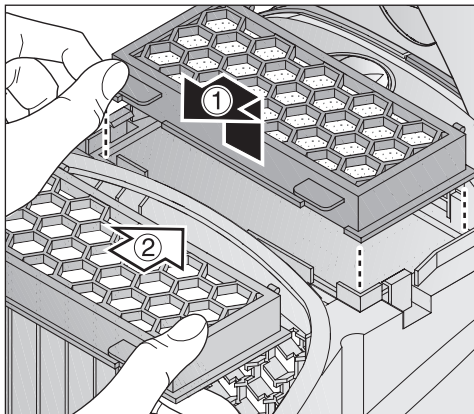
## À quel moment remplacer le filtre d'évacuation Active HEPA?

Changez ce filtre environ une fois par année.

Vous pouvez inscrire la date de remplacement directement sur le filtre d'évacuation.

## Remplacement du filtre Active HEPA

- Ouvrez le couvercle du réservoir à poussière.
- Retirez le filtre d'évacuation usagé ①.
- Insérez le nouveau filtre ②.
- Refermez le couvercle.





## À quel moment remplacer les capteurs de fils sur la brosse à plancher standard ?

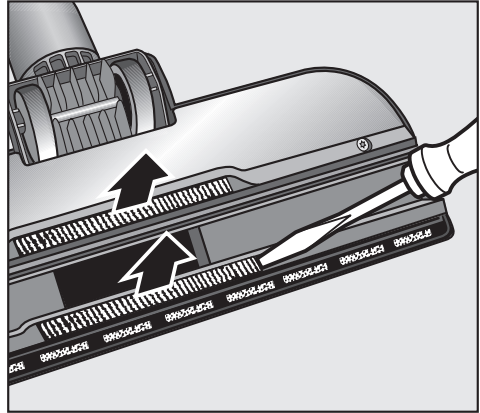
(selon le modèle)

Les capteurs de fils sur la brosse à plancher doivent être remplacés dès qu'ils semblent usés.

### Remplacement des capteurs de fils


- À l'aide d'un tournevis, par exemple, retirez le capteur de fils des fentes d'insertion.
- Insérez le nouveau capteur de fils.

Vous pouvez vous procurer des coussinets de capteurs de fils auprès d'un détaillant Miele autorisé ou directement auprès de Miele.




# Nettoyage et entretien

---

 Éteignez l'aspirateur et débranchez-le de la prise avant d'effectuer des travaux d'entretien.

## L'aspirateur et ses accessoires


L'aspirateur et les autres accessoires de plastique peuvent être nettoyés à l'aide d'un linge humide ou d'un nettoyant spécialement conçu pour le plastique.


 N'utilisez pas de nettoyants abrasifs, de nettoyants à base d'huile, de produits pour vitres ni de nettoyants tout usage.

## Réservoir à poussière

Le réservoir à poussière peut être nettoyé, si nécessaire, avec un linge **sec**, une brosse à épousseter ou un autre aspirateur.

Surveillez l'indicateur de circulation d'air et vérifiez régulièrement les filtres. Nettoyez-les ou remplacez-les lorsque nécessaire, conformément aux instructions d'utilisation.

 Ne plongez pas l'aspirateur dans l'eau. Si l'humidité pénètre dans l'appareil, vous risquez de subir un choc électrique.

 Éteignez et débranchez l'aspirateur avant d'effectuer des travaux d'entretien.

### **L'aspirateur s'éteint automatiquement.**

L'aspirateur a surchauffé. Le limiteur de température éteint automatiquement l'appareil.

Cela peut se produire, par exemple, lorsque de gros éléments aspirés bloquent le tuyau d'aspiration ou lorsque le sac à poussière est plein, ou encore si celui-ci contient des particules de poussière fine. Si le filtre d'évacuation ou le filtre du réservoir à poussière est très sale, l'aspirateur peut également surchauffer. Éteignez l'aspirateur et débranchez-le de la prise.

Vérifiez si des pièces sont obstruées et laissez l'aspirateur refroidir pendant 30 minutes.

### **Service après-vente**

Si vous ne pouvez résoudre certains problèmes, veuillez communiquer avec le Service technique Miele au numéro indiqué au verso de la présente brochure.

- Veuillez préciser le modèle de votre appareil.

Ce renseignement figure sur la plaque signalétique située en-dessous de l'aspirateur.

## Accessoires offerts en option

---

Respectez les instructions de nettoyage du fabricant du revêtement de sol.

Il est possible d'acheter bon nombre de ces accessoires et d'autres produits au magasin Miele en ligne, à [www.Mieleusa.com](http://www.Mieleusa.com).

Certains modèles sont équipés de série d'au moins un des accessoires suivants.

### **Turbobrosse/brosse à plancher**

#### **Turbobrosse Turbo Comfort - 3**

Sert à nettoyer la moquette à poils courts et moyens.

#### **Mini turbobrosse**

Sert à nettoyer les articles rembourrés, les matelas, les sièges de voiture, les escaliers recouverts de tapis et autres endroits qui sont inaccessibles avec la turbobrosse standard.

#### **Brosse à sols durs - 3**

Sert à nettoyer des surfaces dures, comme les planchers en carrelage ou en pierres.

#### **Brosse à parquet - 3**

Brosse spéciale munie de poils naturels servant à nettoyer des parquets et des planchers stratifiés, plus particulièrement des planchers et des revêtements de sol susceptibles d'être rayés.

#### **Brosse à plancher "Parquet Twister" munie d'une tête pivotante**

Sert à nettoyer tous les revêtements de sol durs, comme les parquets et les planchers en carrelage. Convient particulièrement pour nettoyer les niches et les espaces étroits.

#### **Brosse à plancher "Parquet Twister XL" munie d'une tête pivotante**

Sert à nettoyer les grandes surfaces recouvertes de revêtements de sol durs, comme les parquets et les planchers en carrelage.

### **Autres accessoires**

#### **Coffret MicroSet**

Sert à nettoyer des petits objets et des endroits difficiles à atteindre (claviers d'ordinateurs, chaînes stéréo, meubles sculptés, ornements, miniatures, etc.).

#### **Boîtier d'accessoires "CarCare"**

Sert à nettoyer l'intérieur de la voiture.

#### **Boîtier d'accessoires "HomeCare"**

Sert à nettoyer votre maison.

#### **Brosse universelle**

Pour épousseter des étagères, des manteaux de cheminée, des moulures, des ventilateurs de plafond, des sculptures, etc.

### **Brosse à radiateur**

Sert à nettoyer des radiateurs, des événements, des serpentins de machine frigorifique, des conditionneurs d'air, des vases décoratifs, etc.

### **Suceur pour matelas**

Sert à nettoyer des interstices, des matelas et des meubles rembourrés.

### **Suceur plat de 12 po (300 mm)**

Sert à nettoyer des plis, des fentes, des recoins, etc.

### **Suceur plat de 22 po (560 mm)**

Sert à nettoyer les endroits difficiles à atteindre.

### **Suceur pour meubles rembourrés de 7,5 po (190 mm)**

Sert à nettoyer les meubles rembourrés, les matelas et les oreillers.

**What The Warranty Covers And For What Period The Coverage Extends**

Miele, Inc. (hereinafter "Miele") warrants to the original purchaser of this product, living in Canada, who purchased their vacuum from a Miele authorized distributor or dealer:

- a. That this product, including all of its Miele authorized parts is free of defects in material and workmanship.
- b. That this product, if found to be defective within the stated warranty period, will be repaired free of charge to the consumer (both parts and labor) by an authorized Miele service agent.
- c. The warranty period for vacuum cleaners and accessories, excluding vacuum cleaner motors, and vacuum cleaner casings (body), is one (1) year from the date of purchase.
- d. For vacuum cleaner casings (body), the warranty period will be as follows:
  - The structural integrity of the vacuum cleaner casing (body) will be covered for seven (7) years from the date of purchase against defects in material and workmanship on the S2xxx, S4xxx, S5xxxx, S6xxx, S7xxx, and S160 product series.
- e. For vacuum cleaner motors, the warranty period will be as follows:
  - Vacuum motors will be covered for seven (7) years from the date of purchase on the S2xxx, S4xxx, S5xxx, S6xxx, S7xxx, and S160 product series.

Vacuum cleaners used for commercial purposes, except for their motors, will be warranted for a period of six (6) months from the date of purchase. The motors of commercially used upright vacuums will be warranted for one (1) year and the motors of all other commercially used vacuum cleaners will be warranted for two (2) years. Thereafter this Limited Warranty shall be null and void.

This warranty only applies while the product remains within Canada, and shall be null and void in any other foreign countries.

**What is not covered by this Warranty**

This warranty does not cover damage or defects caused by or resulting from repairs, service or alterations to the product or any of its parts or accessories which have been performed by service centers or repairmen not authorized by Miele, or damage or defects caused by negligence, accident, abuse, misuse, improper or abnormal usage or maintenance of the product, its parts or accessories. Ordinary wear and tear or cosmetic damage (scuffs, scratches, gauges, dents, etc.) shall not be considered a defect in materials or workmanship.

## **Exclusion of Other Warranties**

Except for the limited warranty provided herein, Miele disclaims any and all other express warranties with respect to the product. Any warranty of merchantability or fitness for a particular purpose is limited in its duration to the term of the limited warranty provided herein.

## **Limitation of Liability for Special, Incidental or Consequential Damages**

Miele will assume no liability, or other obligation with respect to any personal injury or property damage resulting from the use of a vacuum cleaner, or its accessories, replacement parts, etc., which has not been purchased from, or serviced by an Authorized Miele Dealer. Any purchaser who obtains a vacuum cleaner, accessories, replacement parts, etc., from someone other than an Authorized Miele dealer proceeds at their own risk.

Miele specifically disclaims any and all liability, whether directly or by way of indemnity, for special incidental, consequential or other damages, whether based on breach of contract, tort, strict or product liability, or any other legal theory.

## **Service**

For service under this Limited Warranty, or for information you may need about the product, please contact Miele at the one of the addresses listed on the back of this booklet, or visit us at [www.miele.ca](http://www.miele.ca).

## **Authorized Miele Dealers**

To find an authorized Miele dealer in your area, please visit our website .

Effective Date: April 1, 2012

©2012 Miele, Inc.

# **GARANTIE RESTREINTE - ASPIRATEURS AU CANADA**

---

## **Ce que couvre la garantie et pour combien de temps**

Miele, Inc. (ci-après « Miele ») garantit à l'acheteur original, habitant au Canada, qui a acheté son aspirateur d'un détaillant ou d'un distributeur Miele autorisé :

- a. que ce produit, y compris toutes les pièces Miele qui s'y rapportent, est exempt de défaut dans les matériaux et la fabrication
- b. que ce produit, s'il s'avère défectueux durant la période de garantie indiquée, sera réparé sans frais pour le consommateur (pièces et main-d'œuvre) par un technicien autorisé de Miele.
- c. que la période de garantie pour les aspirateurs et accessoires s'y rattachant, à l'exception des moteurs et des boîtiers d'aspirateurs, est d'une durée d'un (1) an à partir de la date de l'achat.
- d. Pour ce qui est des boîtiers d'aspirateurs, la période de garantie sera la suivante :
  - l'intégrité de la structure du boîtier d'aspirateur sera couverte pendant sept (7) ans à partir de la date de l'achat contre les défauts dans les matériaux et la fabrication pour la gamme de produits S2xxx, S4xxx, S5xxxx, S6xxx, S7xxx et S160.
- e. Pour ce qui est des moteurs d'aspirateurs, la période de garantie sera la suivante :
  - Les moteurs seront couverts pendant sept (7) ans à partir de la date de l'achat pour la gamme de produits S2xxx, S4xxx, S5xxxx, S6xxx, S7xxx et S160.

Les aspirateurs utilisés à des fins commerciales, à l'exception de leurs moteurs, seront garantis pour une période de six (6) mois à partir de la date de l'achat. Les moteurs des aspirateurs verticaux utilisés à des fins commerciales seront garantis pour une période d'un (1) an et les moteurs de tous les autres aspirateurs utilisés à des fins commerciales seront garantis pour une période de deux (2) ans. Passé ces délais, la garantie restreinte ne sera plus valide.

Cette garantie s'applique seulement si le produit demeure au Canada; elle n'est pas valide dans un autre pays.

## **Ce que ne couvre pas la garantie**

Cette garantie ne couvre pas les défauts ni les dommages causés par les éléments suivants ou en résultant : réparations, travaux d'entretien ou modifications du produit ou de ses pièces et accessoires par un centre de services ou un réparateur non autorisé par Miele. La garantie ne couvre pas non plus les défauts ou dommages causés par de la négligence, un accident, une utilisation abusive, une mauvaise utilisation, inappropriée ou anormale, ou encore un entretien inapproprié ou anormal du produit, de ses pièces ou de ses accessoires. L'usure normale ou les dommages apparents (éraflures, égratignures, écartements, bosses, etc.) ne constituent pas un défaut de fabrication ni un défaut de matériaux.



# **GARANTIE RESTREINTE - ASPIRATEURS AU CANADA**

---

## **Exclusion d'autres garanties**

À l'exception de la garantie restreinte mentionnée ci-dessus, Miele se désiste de toute autre garantie expresse en ce qui a trait au produit. Toute garantie de qualité marchande ou d'usage à une fin particulière est limitée à la durée de la présente garantie restreinte écrite.

## **Limite de responsabilité concernant les dommages particuliers, consécutifs ou indirects**

Miele ne peut être tenue d'assumer des responsabilités ou des obligations pour des blessures ou des dommages matériels causés par l'utilisation d'un aspirateur, de ses accessoires, de ses pièces de rechange, etc., qui n'ont pas été achetés ou entretenus par un détaillant Miele autorisé. Toute personne qui achète un aspirateur, des accessoires, des pièces de rechange, etc., d'un autre détaillant qu'un détaillant Miele autorisé le fait à ses propres risques.

Miele se dégage expressément de toute responsabilité, directe ou par le biais d'indemnités, en ce qui concerne des dommages particuliers, consécutifs ou indirects, qu'ils soient fondés sur la violation du contrat, sur la responsabilité délictuelle, sur la responsabilité du fait du produit, sur la responsabilité stricte ou sur toute autre théorie juridique.

## **Travaux d'entretien**

Pour faire exécuter des travaux d'entretien couverts en vertu de la garantie restreinte ou pour obtenir de plus amples renseignements sur le produit, veuillez communiquer avec Miele à l'une des adresses inscrites au verso de la présente brochure, ou consultez notre site Web à l'adresse [www.miele.ca](http://www.miele.ca).

## **Détaillants Miele autorisés**

Pour trouver un détaillant Miele autorisé dans votre région, consultez notre site Web.

Date d'entrée en vigueur : 01 avril 2012

©2012 Miele, Inc.

## Protection de l'environnement

---

### **Élimination des produits d'emballage**

La boîte de carton et l'emballage protègent l'aspirateur durant le transport. Ces matériaux sont recyclables. Veuillez les recycler.

Pour prévenir les risques de suffocation, débarrassez-vous des emballages, sacs et autres produits en plastique en toute sécurité et gardez-les hors de la portée des enfants.

### **Mise au rebut de votre ancien appareil**

Les anciens aspirateurs peuvent contenir des matériaux recyclables. Veuillez communiquer avec le centre de recyclage de votre localité pour savoir comment les recycler.



## **Miele Limitée**

### **Siège social au Canada**

161 Four Valley Drive

Vaughan, ON L4K 4V8

Téléphone : (800) 643-5381

(905) 660-9936

Télécopieur : (905) 532-2290

[www.miele.ca](http://www.miele.ca)

[professional@miele.ca](mailto:professional@miele.ca) (questions commerciales)

### **Service à la clientèle – Mielecare (Canada)**

Téléphone : (800) 565-6435

(905) 532-2272

Télécopieur : (905) 532-2292

[customer-care@miele.ca](mailto:customer-care@miele.ca) (questions générales et Service technique)

## **Allemagne**

Miele & Cie. KG

Carl-Miele-Straße 29

33332 Gütersloh

---

Sous réserve de modifications / Aspirateurs S2 avec accessoires électriques / 2112

LES RENSEIGNEMENTS FOURNIS PEUVENT ÊTRE MODIFIÉS. VEUILLEZ CONSULTER NOTRE SITE WEB POUR CONNAÎTRE LES CARACTÉRISTIQUES LES PLUS RÉCENTES DES PRODUITS AINSI QUE LES DERNIERS RENSEIGNEMENTS TECHNIQUES ET L'INFORMATION MISE À JOUR CONCERNANT LA GARANTIE.

**Please have the model and serial number  
of your appliance available before  
contacting Technical Service.**

---

The Miele logo is displayed in a bold, white, serif font against a solid black rectangular background.

**U.S.A.  
Miele, Inc.**

**National Headquarters**

9 Independence Way  
Princeton, NJ 08540  
Phone: 800-843-7231  
609-419-9898  
Fax: 609-419-4298  
[www.mieleusa.com](http://www.mieleusa.com)

**Technical Service & Support  
Nationwide**

Phone: 800-999-1360  
Fax: 888-586-8056

[TechnicalService@mieleusa.com](mailto:TechnicalService@mieleusa.com)

**Canada  
Miele Limited**

**Headquarters and Showroom**

161 Four Valley Drive  
Vaughan, ON L4K 4V8  
Phone: 800-643-5381  
905-660-9936  
Fax: 905-532-2290  
[www.miele.ca](http://www.miele.ca)  
[professional@miele.ca](mailto:professional@miele.ca)  
(commercial enquiries)

**MieleCare National Service**

Phone: 800-565-6435  
905-532-2272  
Fax: 905-532-2292  
[customercare@miele.ca](mailto:customercare@miele.ca)  
(general and technical enquiries)



[www.miele-shop.com](http://www.miele-shop.com)